

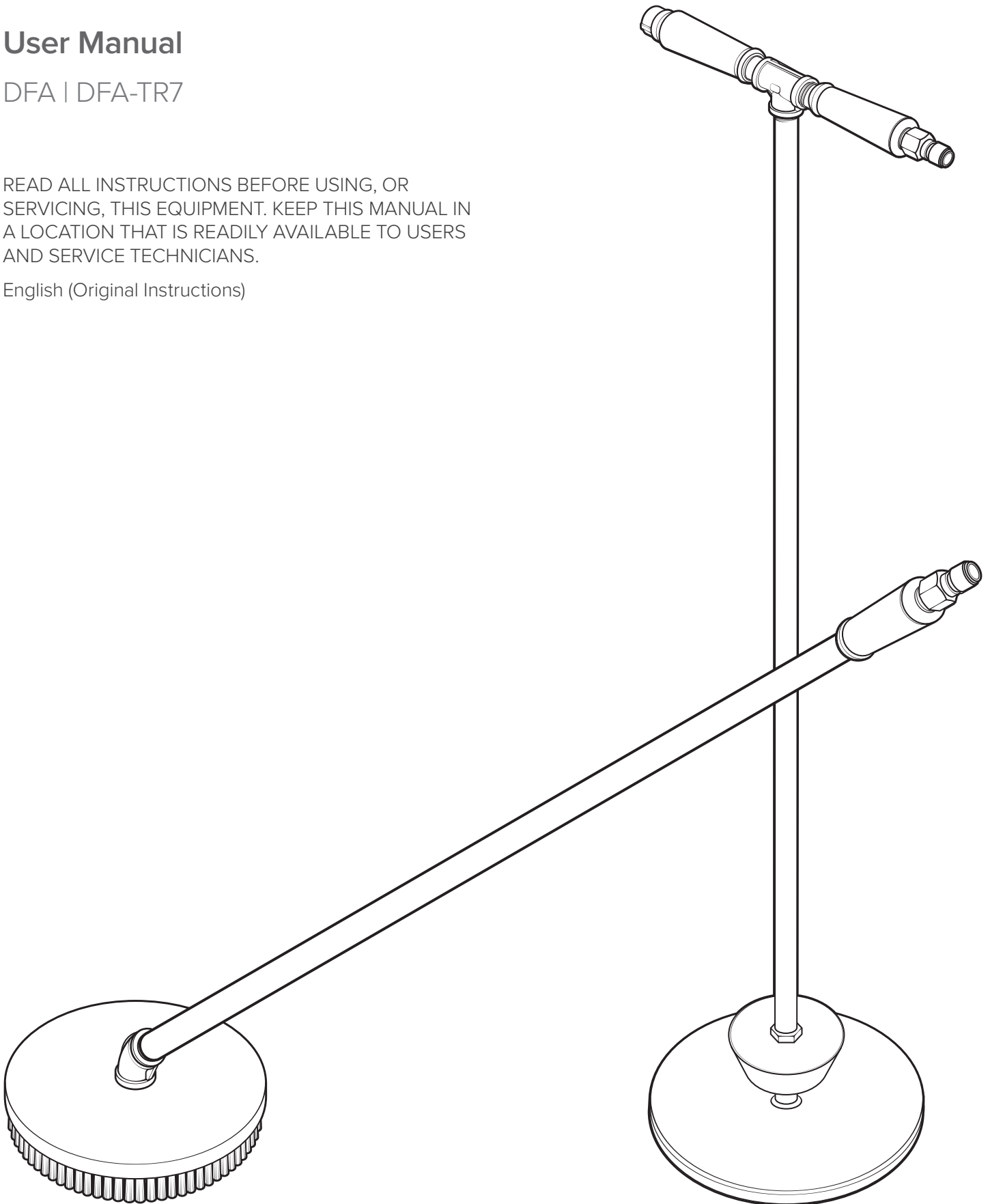
Drain Foaming Attachment

User Manual

DFA | DFA-TR7

READ ALL INSTRUCTIONS BEFORE USING, OR
SERVICING, THIS EQUIPMENT. KEEP THIS MANUAL IN
A LOCATION THAT IS READILY AVAILABLE TO USERS
AND SERVICE TECHNICIANS.

English (Original Instructions)



1 Safety

WARNING

PEOPLE OR OBJECTS CAN BE HURT OR DAMAGED IF THIS UNIT IS NOT USED CORRECTLY!



Failure to read all the instructions before operating the unit may result in personal injury or death from the improper use of the chemical solution. Anyone handling, operating or using the unit must read, and understand, the instructions in the manual. The buyer assumes all responsibility for safety and proper use in accordance with the instructions.



Using, or servicing, the unit without proper protective clothing, gloves, and eye wear may result in serious injury such as burns, rashes, eye, throat or lung damage and death. Always wear protective clothing, gloves, and eye wear when using, or servicing, the unit. Protect eyes, skin, and lungs against drifting spray.



Chemical solutions may pose a health risk and death if they contact the skin or eyes, are inhaled or swallowed. Always read, and follow, all chemical safety precautions and handling instructions provided by the chemical manufacturer and the Safety Data Sheet (SDS) associated with the chemical solution being used before using the unit.



Pressure within the equipment may cause an unexpected release of the chemical solution and cause serious injury such as burns, rashes, eye damage, throat or lung damage and death. Always depressurize and clean the unit after each use. Never leave the unit unattended while pressurized.

Using the unit with fluid temperatures above 100°F (37.77°C) may result in scalding, burns, serious injury or death. DO NOT use a solution with a temperature above 100°F (37.77°C).

Operating the unit when damaged or leaking may result in exposure to chemical solutions, serious injury or death. Never use the unit if it is damaged or leaking.

Never point the discharge wand at yourself, another person, or any object you do not want covered in chemical.

Using incoming air pressure exceeding 100 psi (7 bar) may result in pressure buildup, explosion, serious injury or death. DO NOT exceed 100 psi (7 bar) incoming air pressure when operating the unit.



Use of hydrocarbons and flammable products may result in explosions, fire and serious injury or death. Never use hydrocarbons or flammable products with the unit.



Mixing an alkaline with an acid may result in a chemical reaction. Overheating of the mixture may cause it to splatter caustic compounds or release hazardous fumes, gas and vapors. Always flush the unit with fresh water for five (5) minutes when switching from an alkaline to an acid or an acid to an alkaline.

NOTICE

Servicing, or modification, of this unit with parts not listed in this manual may cause the unit to operate improperly. Do not use unauthorized parts when servicing the unit.

Use of an air lubricator before the unit may result in diminished performance and damage to the unit. Do not use an air lubricator before the unit.

Moisture in the air lines may damage the pump and diminish the units life. The air must be filtered, clean, dry and free of moisture. If needed, install an air dryer before the unit.

PROTECT THE ENVIRONMENT



Please dispose of packaging materials, old machine components, and hazardous fluids in an environmentally safe way according to local waste disposal regulations.

2 Product Overview

Product requirements

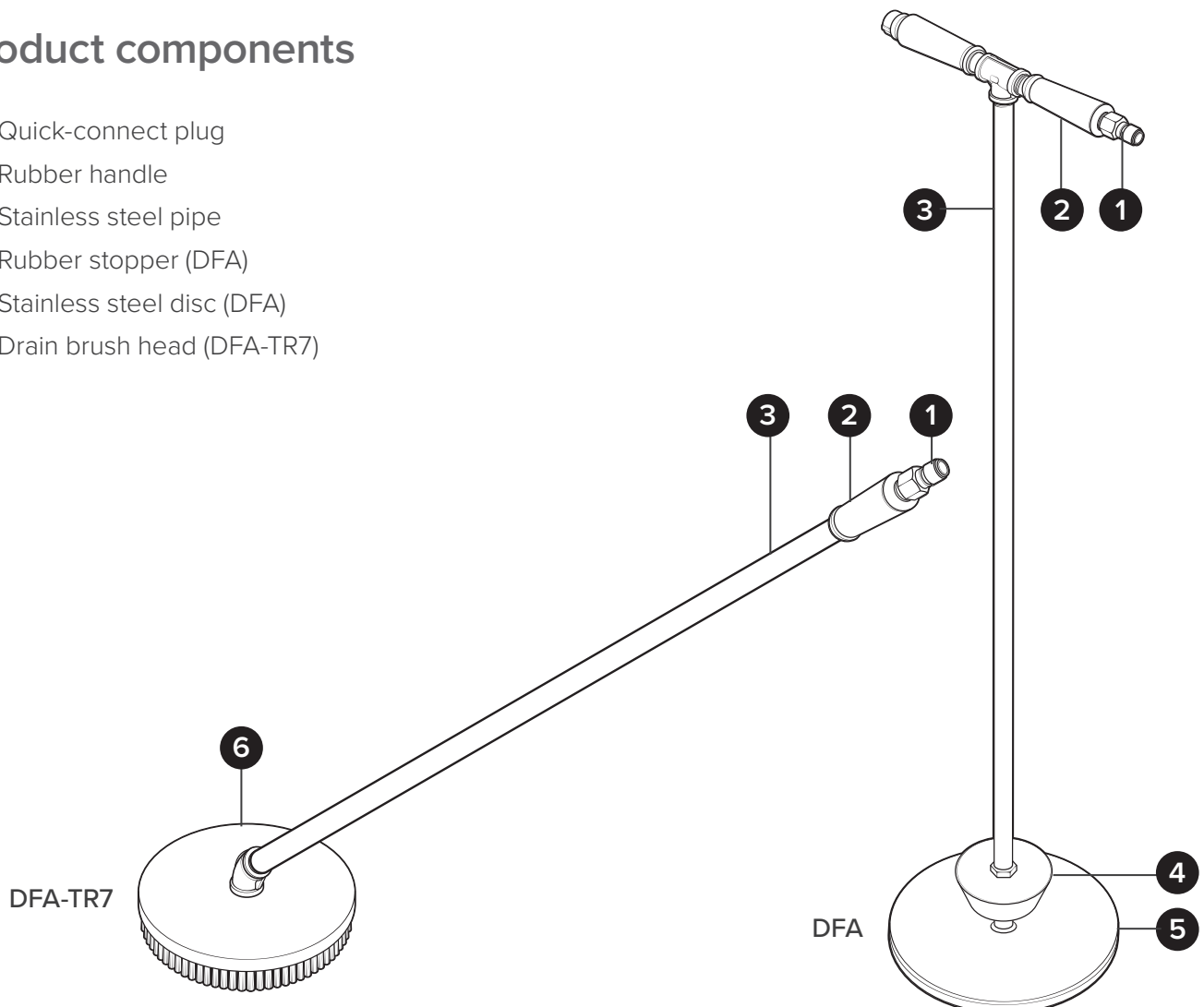
Equipment requirements	Requires connection to a FOAMit unit with ½ in. FPT discharge ball valve.
Chemical compatibility	Chemical products used with this equipment must be formulated for this type of application and compatible with unit materials and pump seals. For more information on chemical compatibility, consult the manufacturer or SDS for your product or contact our customer service department.

Product specifications

Specifications	DFA	DFA-TR7
Attachment head size and type	Stainless steel disc covers drains up to 12 inches (30.5 cm) in diameter. Rubber stopper plugs drains 3.5 to 5 inches (8.9-12.7 cm) in diameter.	7 inch (17.78 cm) polypropylene round disc with flat brush.)
Product height	48 inches (121.9 cm)	48 inches (121.9 cm)

Product components

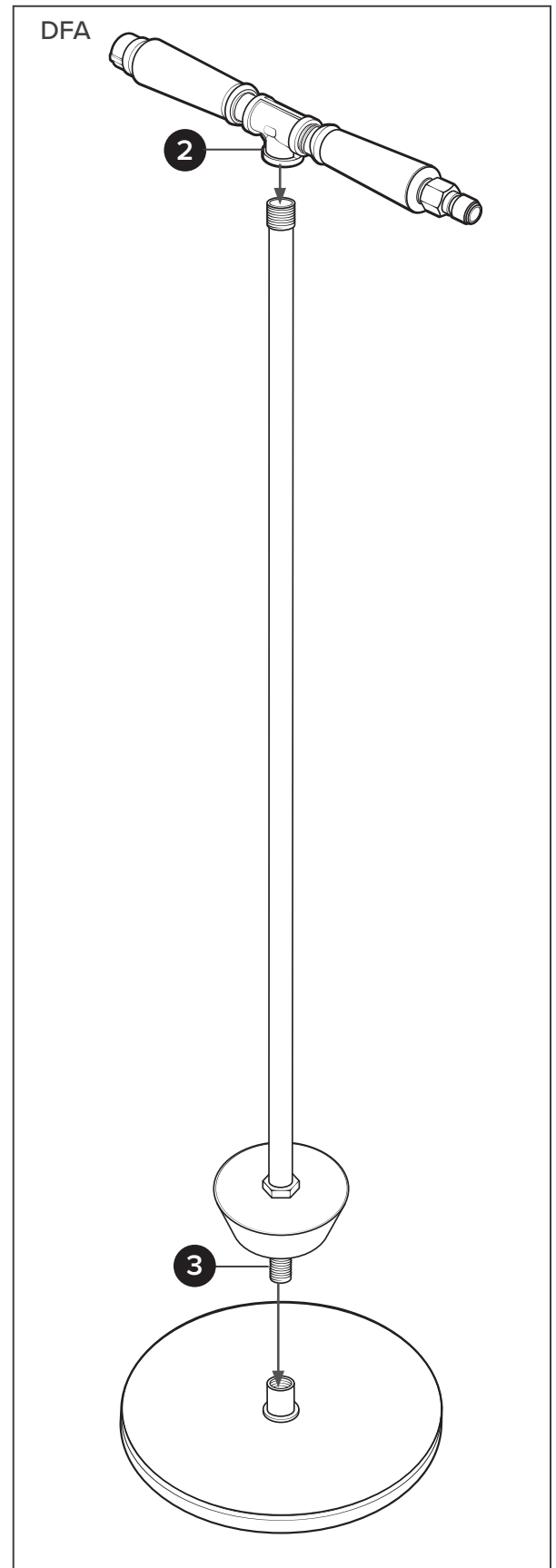
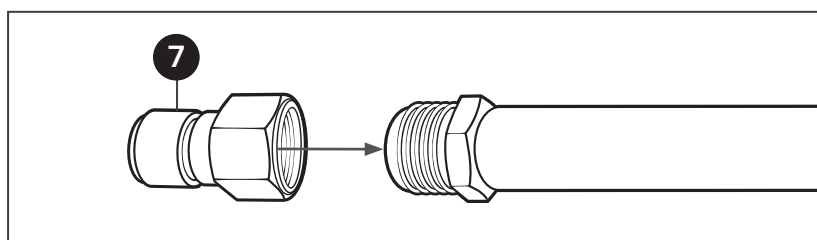
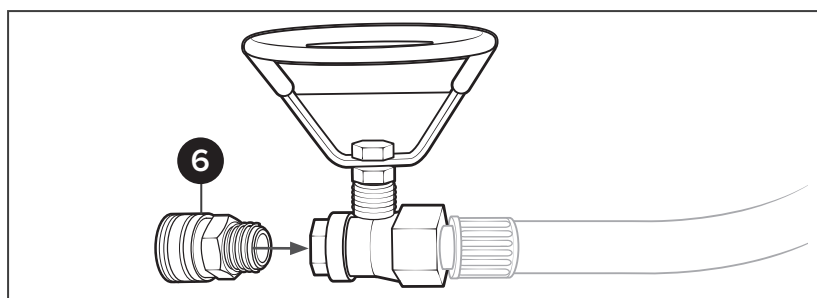
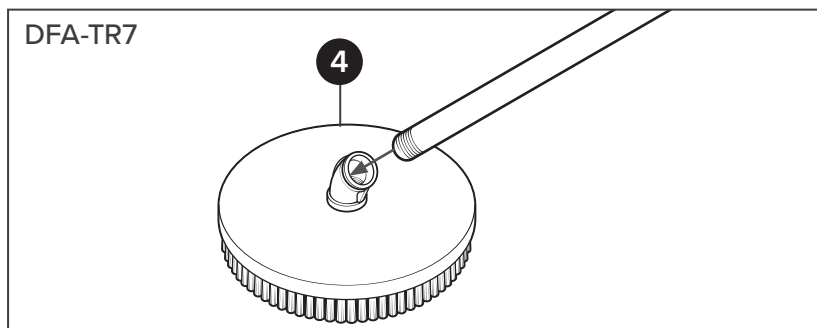
1. Quick-connect plug
2. Rubber handle
3. Stainless steel pipe
4. Rubber stopper (DFA)
5. Stainless steel disc (DFA)
6. Drain brush head (DFA-TR7)



3 Assembly

This attachment comes with quick-connect fittings for easy installation and use. **Only install quick-connect fittings on output side of foam unit discharge valve, as shown in the Installation Instructions. Do not install in any other configuration.**

1. Remove all components from packaging.
2. Thread the tee handle onto the top of the stainless steel pipe. **(DFA model only).**
3. Thread the rubber stopper end of the stainless steel pipe onto the stainless steel disc. **(DFA model only).**
4. Thread drain brush head onto stainless steel pipe. **(DFA-TR7 model only).**
5. With foam unit turned off and depressurized (refer to foam unit user manual for specific procedures), remove wand, fan tip, and/or any additional components from output side of foam unit discharge valve.
6. Connect quick-connect coupler fitting to output side of foam unit discharge valve. Quick-connect coupler fitting has ½ in. male NPT threads.
7. Connect quick-connect plug fitting to foam unit wand. Quick-connect plug fitting has ½ in. female NPT threads.

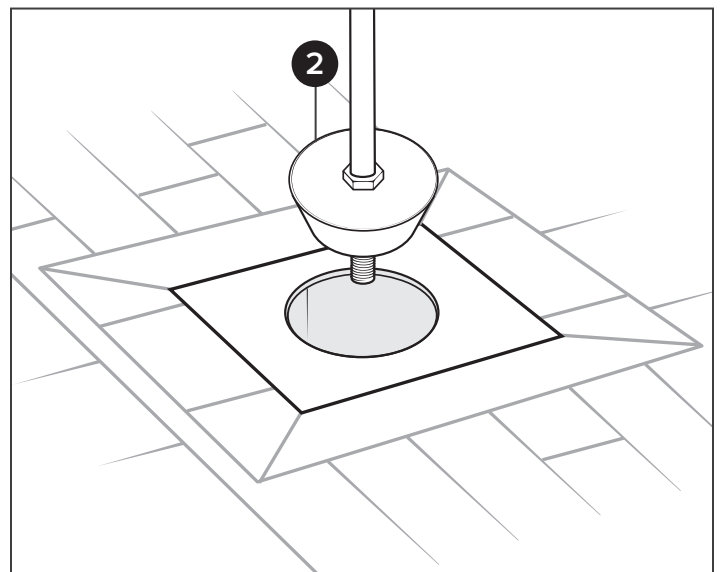
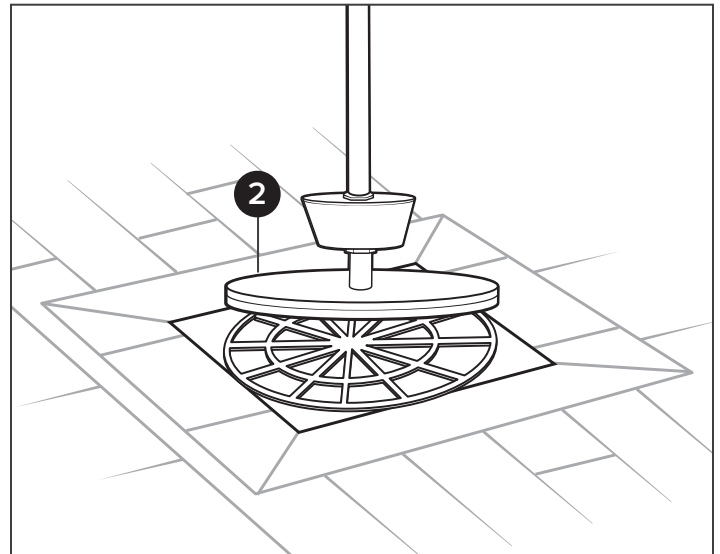
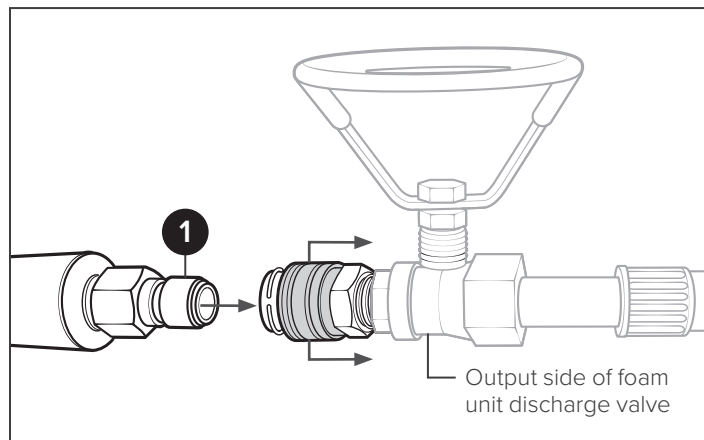


4 Operation

With quick-connect fittings installed, foam wand and attachment can be interchanged for different applications. Engage quick-connect fittings by pulling back on the retaining collar of the coupler fitting, inserting the plug fitting, then releasing the retaining collar to secure the connection. Disengage quick-connect fittings by pulling back on the retaining collar of the female coupler and removing the plug fitting.

1. Connect attachment to foam unit by engaging quick-connect fittings. Make sure connection is secure.
2. Position foam disc over drain, or remove drain cover and insert rubber plug into drain.
3. Activate foam unit (refer to foam unit user manual for specific procedures) to begin foaming.
4. To stop foaming, deactivate foam unit (refer to foam unit user manual for specific procedures).

NOTE: Never disengage quick-connect fittings while unit is pressurized.



After Use Instructions

1. Turn off and depressurize the foam unit. Follow all after use procedures in the foam unit user manual.
2. Rinse attachment thoroughly with fresh water to remove any chemical residue.
3. To disengage quick-connect fittings, pull back on retaining collar to release female fitting.

Maintenance Instructions:

To keep attachment operating properly, periodically perform the following maintenance procedures:

- Inspect all fittings, including quick-connect fittings, for wear and leaks.
- Inspect the mixing material located inside the attachment handle for debris and wear. Clean and replace as needed.
- Inspect foam ring gasket for wear and replace as needed.

5 Parts

Item number	Description
DFA-12	Drain foam 12 in. SS disc assembly
DFA-SSD12	12 in. SS. disc
DFBD7	Disc brush for drains: 7 in. dia polypropylene
FWP12	Flat washer: .875 ID x 1.5 OD x 0.05 THK-SS
HBG	Black grip handle 4.5 in.
HHSB1238	Hex head stainless bushing 1/2 MPT x 3/8 FPT
MIX7	Twisted-in-wire brush: .625 OD x 7 in.
QCSS12CM	SS non check 1/2 in. quick connect coupler-MPT
QCSS12PF	SS non check 1/2 in. quick connect plug - FPT
RMS16	Rubber molded stopper size 16 (3.5 to 5 in.)
SC1212	S.S. coupler 1/2 in. by 1/2 in.
SEL12F45	1/2 FPT 45 degree elbow-stainless
SSCP12	1/2 FPT cap-stainless
SSN1248	Polished - stainless pipe nipple 1/2 MPT x 1/2 MPT - 48 in. long - SCH 40s
SSN1248DFA	Polished - stainless pipe nipple 1/2 MPT x 1/2 MPT - 48 in. long- toe x 3" NPSM on one end SCH 40S
SSN126	Stainless pipe nipple 1/2 MPT x 1/2 MPT- 6 in. long - SCH 40S
SST12	Stainless tee 1/2 FPT
SSTLN12	1/2 in. stainless locknut

