

S2



General

For safety during installation and later use it is very important that installation, operating and maintenance instructions are carefully followed.

You are requested to keep this instruction manual at a location where it will be available at all times, and it should be submitted to the person who is responsible for this product. In the event that the instruction manual is lost, you are welcome to order a new one from your dealer.

If any doubt should arise with regard to the content of these instructions, please contact the distributor.

Proper use

System Cleaners' system is exclusively designed to transport and pressure-increase of water to satellite stations. All other forms of application or use not within the scope of the above are considered to be improper and inconsistent with the requirements and regulations, and may lead to hazardous situations.

System Cleaners A/S cannot be held liable for consequential damage resulting from improper use of the equipment.

Proper use includes the following:

- The instructions, regulations and recommendations concerning the system stated in the instruction manual
- Observance of the specified inspection and maintenance intervals
- Correct maintenance of good operating condition of the system
- Observance of the specified environmental and operating conditions

Proper use also includes observance of all information that is stated in this instruction manual. This applies in particular to the specified safety instructions.

Liability

Each user must handle and use the system in a responsible manner.

It is therefore of great importance that this instruction manual is available to the sanitation employee concerned at all times.

Safety

The design of the system complies with generally accepted technical regulations and provisions concerning the working environment and accident prevention. Despite this, risks can occur during use that can lead to physical inconvenience for the user or a third party or have an impact on the machine or other equipment.

The system must therefore be in prime technical condition before use and may only be used in accordance with its purpose and with strict observance of the safety requirements and operating instructions. In particular, malfunctions and irregularities that can affect safety must be remedied immediately.

Warranty

For a period of 24 months from the date of delivery, your dealer will honor a warranty on parts that do not function properly due to material defects or manufacturing faults. The warranty does not cover wearing parts. The warranty will cover replacement or repair of the defective part. Costs with regard to dismantling, forwarding and reassembly are defrayed by the purchaser. Any return shipments from System Cleaners A/S following completed repairs are defrayed by System Cleaners A/S. The defective parts remain the property of System Cleaners A/S.

Claims that may be made for legal reasons, ordinary wear and tear, as well as damage to parts that can be attributed to negligent or improper handling are not covered by the warranty. The warranty will be void if the system has been exposed to frost. The warranty will also be void if modifications or repairs have been carried out by unauthorized personnel. Warranty claims will only be accepted if they are reported to System Cleaners A/S immediately after damage has been discovered. The warranty is terminated if there is a change of ownership of the machine. System Cleaners A/S and its dealers cannot be held liable for personal injury, damage to equipment, loss of earnings, including production losses, losses to stock or similar that may have arisen as a result of defects or delayed delivery of the sold product, irrespective of the cause, including manufacturing faults or material defects. In addition, please refer to our general terms and conditions of sales and delivery.

Disposal

Please be aware of the following applicable provisions: the equipment must be disposed of according to its nature and applicable requirements, e.g. electrical scrap, synthetic material, stainless steel, brass, etc.

Labelling

The system is equipped with a type plate containing technical data.

The type plate is located on a fixed part of the system.

Declaration of conformity

We declare that this product is in conformity with the following directives:

- 2006/42/EC Directive on Machinery



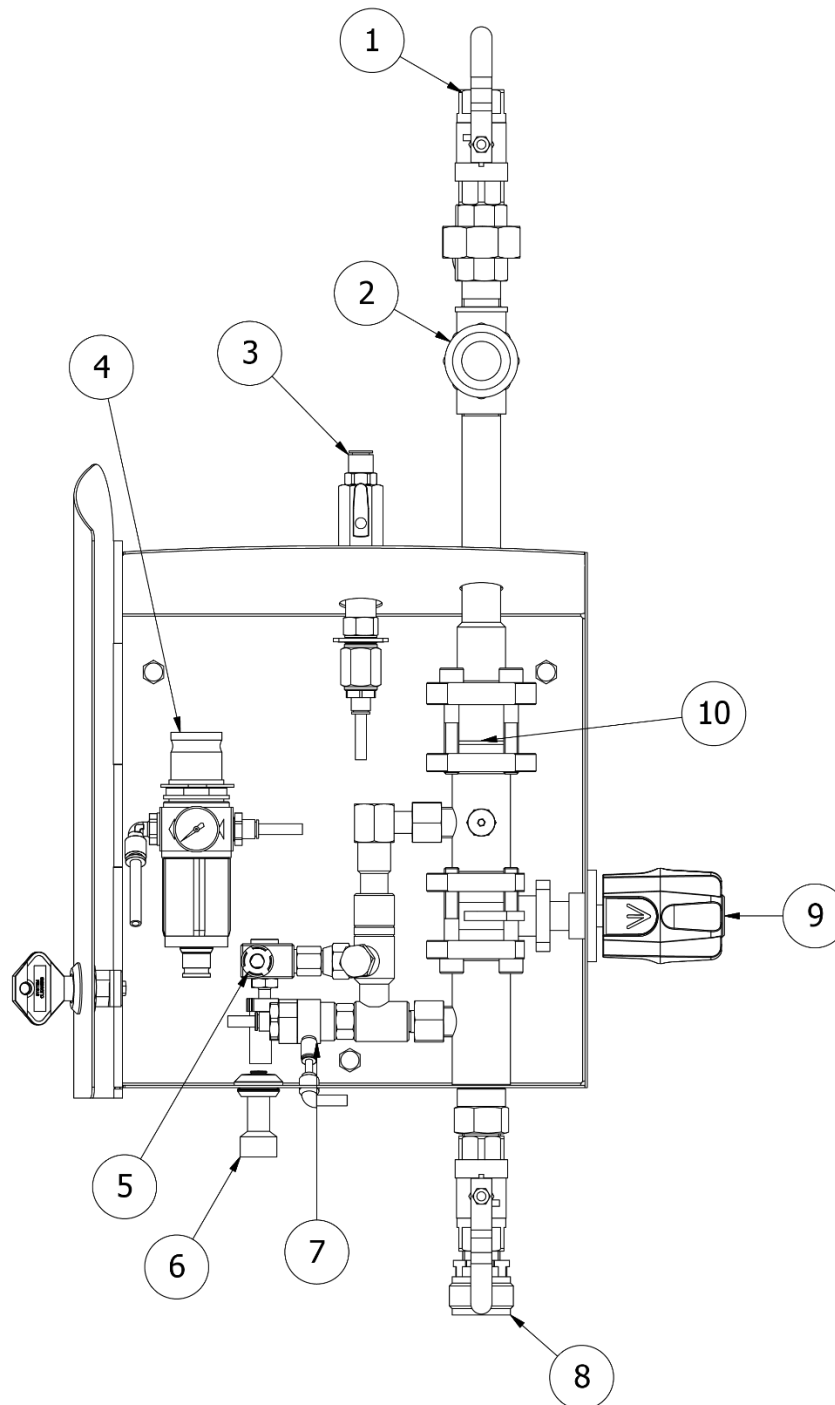
Per Kjøller
Development Manager

DESCRIPTION

Satellite

A satellite is connected to pressurized water, a number of chemicals and, depending on the model, compressed air.

Using a satellite it is possible for one operator to rinse, foam or disinfect (depending on model).



Pos.	Description
1	Inlet water
2	Strainer
3	Inlet air
4	Air regulator
5	Dosing valve chemical
6	Suction tube chemical
7	Air unit
8	Outlet
9	Function selector
10	Injector system

INSTALLATION

Storage

The machine must not be exposed to frost unless it has been emptied of water (frost protected). Even brief periods of exposure to frost may cause damage to the equipment.

Store the equipment in a frost-free room in the original packing.

Installation

Place the equipment in a frost-free room, well protected from the sun and place it on a hard surface.

Make sure that, in the event of failing non-return valves in the air and water supply, there are suitable back-flow preventers fitted.

Local regulations may require installation of a back-flow protecting device to prevent compressed air or chemicals getting into the water supply.

Piping

The piping should be made from materials suitable for the media in the pipes, the maximum pressure and temperature.

It is the fitter's responsibility to ensure that the piping including all armatures conform to local regulations.

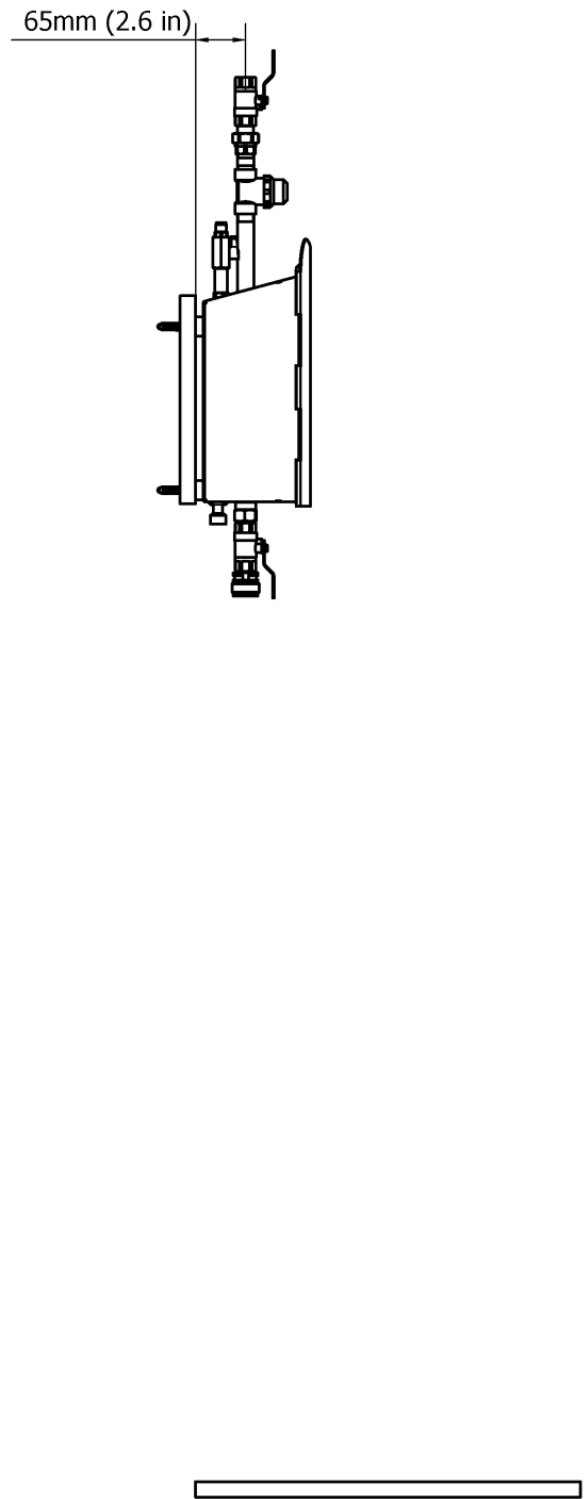
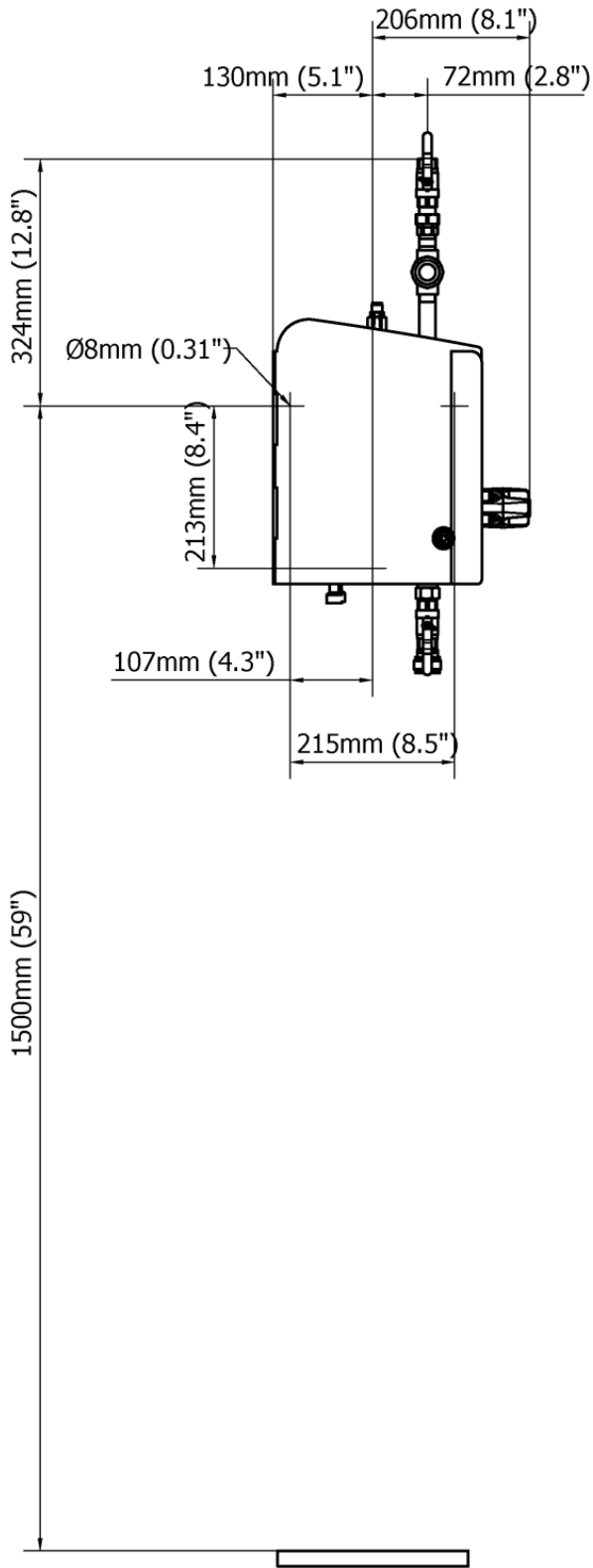
The installation must be performed such that forces from pipes etc. are not transferred to the equipment during and after fitting, as this may result in leaks or damage the equipment.

Select a pipe size so that the flow velocity in the pipe is up to 3 meters/second (10 feet/second). This gives a normally accepted pressure loss and low noise from the flow.

In order to facilitate maintenance of the equipment, it is recommended to fit a shut-off valve in the pipelines immediately at the connections for water.

Pipe supports

Always use pipe supports designed for the pipe size and material and maximum working pressure and temperature.



COMMISSIONING

Flushing

Pipes etc. must be flushed efficiently before connecting the unit.

Before commencing operation on the unit or following repair work, the unit must be flushed thoroughly to remove any impurities or foreign bodies.

Disinfection

Local specifications may require disinfection of the wetted parts like internals of pipes and pumps before use to avoid contamination of newly cleaned surfaces.

Dosing

Adjust the dosing according to the chemical supplier's recommendations.

Always calibrate and, if required, document the dosing on a regular basis.

Air

Adjust the air pressure until a satisfactory foam quality is achieved.

Note that good foam quality depends on the mixture of water, chemical and air and getting a perfect result requires some adjustments of the mixing ratios.

OPERATION

Safety

It is recommended that suitable working clothes be worn. For protection against certain types of detergents, always use protective goggles, respiratory protective equipment and rubber gloves.

It is recommended that non-slip footwear be worn since the floor can be slippery due to the presence of water and foam.

This system may only be operated, maintained and – not least - repaired by persons who are familiar with the system and properly trained to carry out the job concerned.

It is the customer's responsibility that these installation and operating instructions are supplemented by in-house instructions concerning inspection and reporting, industrial management, personnel training, etc.

Do not carry out any work if you are unsure of the consequences or are insufficiently skilled to carry it out. If in doubt, you should contact your superior or your agent in advance.

Never direct the water jet at other persons.

Never direct the water jet at electrical installations.

Check that couplings "lock" when hoses and nozzles are fitted. If possible, practise this procedure before operation. Always relieve the pressure in the rinsing hose by opening the low-pressure gun or valve after the water supply has been shut off before dismantling the couplings and removing the hose.

During operation of the system, ensure that the low-pressure gun/valve is closed before releasing the handle.

When the low-pressure gun or valve is opened, the water jet will result in a certain amount of counter-pressure. Therefore make sure that you hold the handle firmly and have a firm foothold.

System Cleaners low-pressure systems may only be used in conjunction with soaps and chemicals that are approved for cleaning within the food or transport industries.

Soaps and chemicals that are classified as highly corrosive, toxic or which pose a health risk to humans or animals may not be used.

The system must not be used together with solvents or volatile liquids that pose a health risk or are inflammable.

In the event that the system is used with non-approved soaps, chemicals or solvents, System Cleaners A/S disclaims all liability.

If in doubt, please contact your soap or chemical supplier and read the supplier manual.

In the event that you use the system with chemicals that require mandatory labelling, or if the water temperature exceeds 50°C, a low-pressure gun with an automatic closing device must be used.

In the event that you use the system without a gun with an automatic closing device together with chemicals that require mandatory labelling, or water with a temperature that exceeds 50°C, System Cleaners A/S disclaims all liability.

Pressure relief

After use shut the isolating valves over the equipment and relieve air and water pressure in hoses etc.

Flush injector system

After each use flush the injector system with warm water to avoid clogging of the injector.

MAINTENANCE

Water filter

Depending on the mains water quality it may be necessary to clean the water filter on a regular basis to prevent the pump from stopping.

Water non-return valve

Water non-return valves are critical wear parts and should be replaced yearly.

Air filter

Depending on the quality of the compressed air it may be necessary to empty condensation collected in the air filter bowl on a regular basis.

Injector system

The injector system consists of foot strainer, dosing valve, non-return valve and injector.

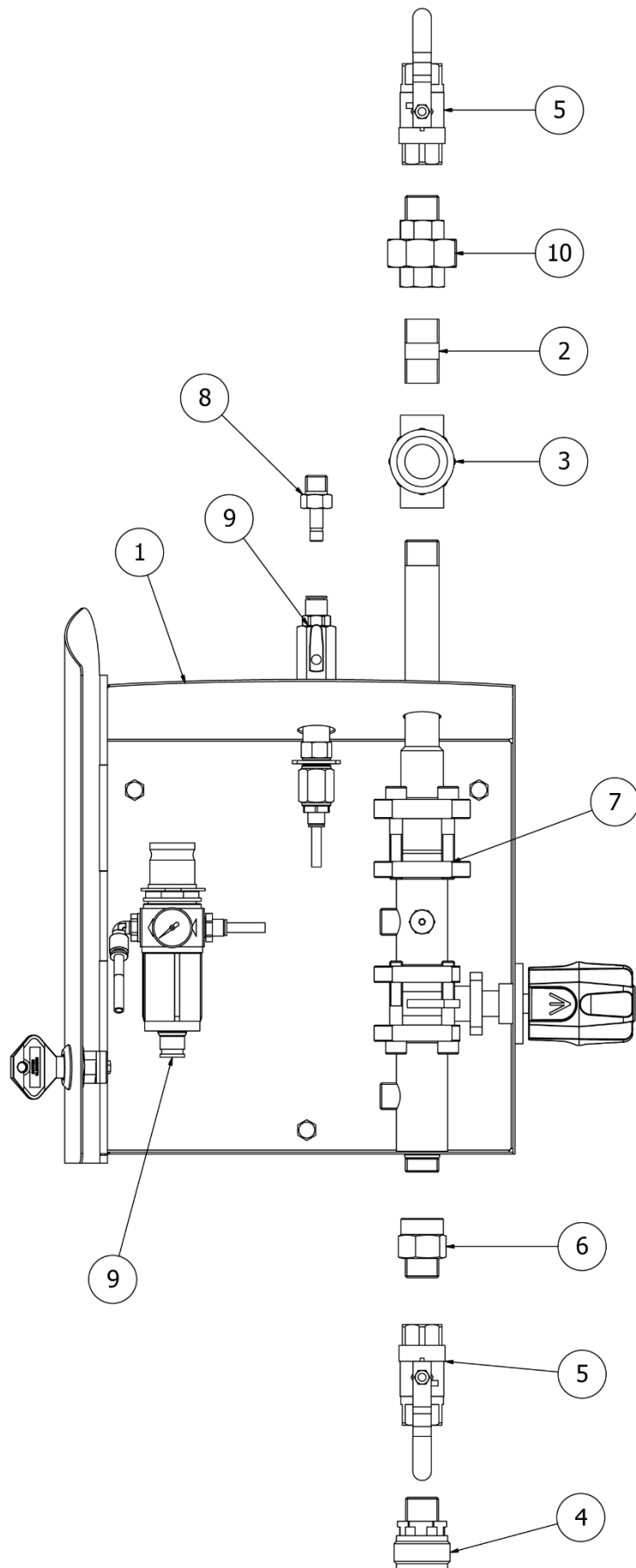
Chemical residues compromises the function of the injector and flushing with warm water after each use is required to maintain trouble free operation.

Depending on the water quality it may be necessary to de-scale the water side of the injector on a regular basis following the chemical supplier's guidelines.

TROUBLE SHOOTING

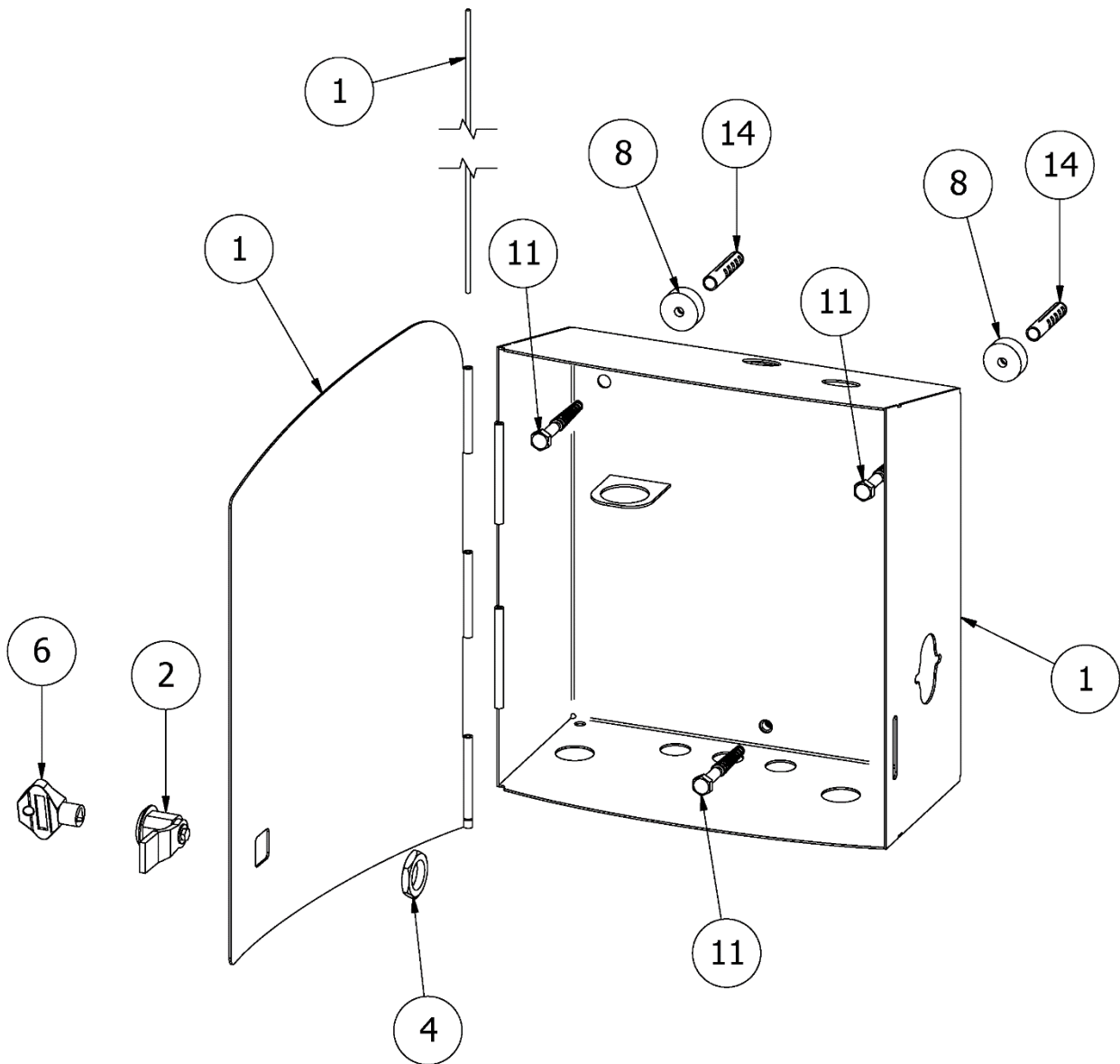
Fault	Cause	Remedy
No water or insufficient water at the nozzle when rinsing	Function selector is in closed position	Turn the function selector switch to the desired function
	Insufficient water supply to the unit	Make sure that the water supply is as described in the technical specifications
	Valve at the end of the hose not open	Open valve
The unit does not suck up detergent	Function selector is not in the correct position	Turn function selector switch to desired function
	Suction filter or chemical restrictor are blocked by chemical residue	Clean suction filter or chemical restrictor
	Water pressure is too low	Make sure water supply is as described in the technical specifications
	Suction filter is above the fluid level in chemical container	Position the suction filter below fluid level
Poor foam quality	Chemical product is not a foaming product	Change to a foaming chemical
	Incorrect dosing	Adjust the dosing according to chemical supplier's specifications
	Suction filter or chemical restrictor are blocked by chemical residue	Clean the suction filter or chemical restrictor
	Water pressure is too low	Make sure that the water supply is as described in the technical specifications
	Air pressure too low	Increase air pressure
	Non-original foam nozzle fitted	Replace with original white foam nozzle

SPARE PARTS



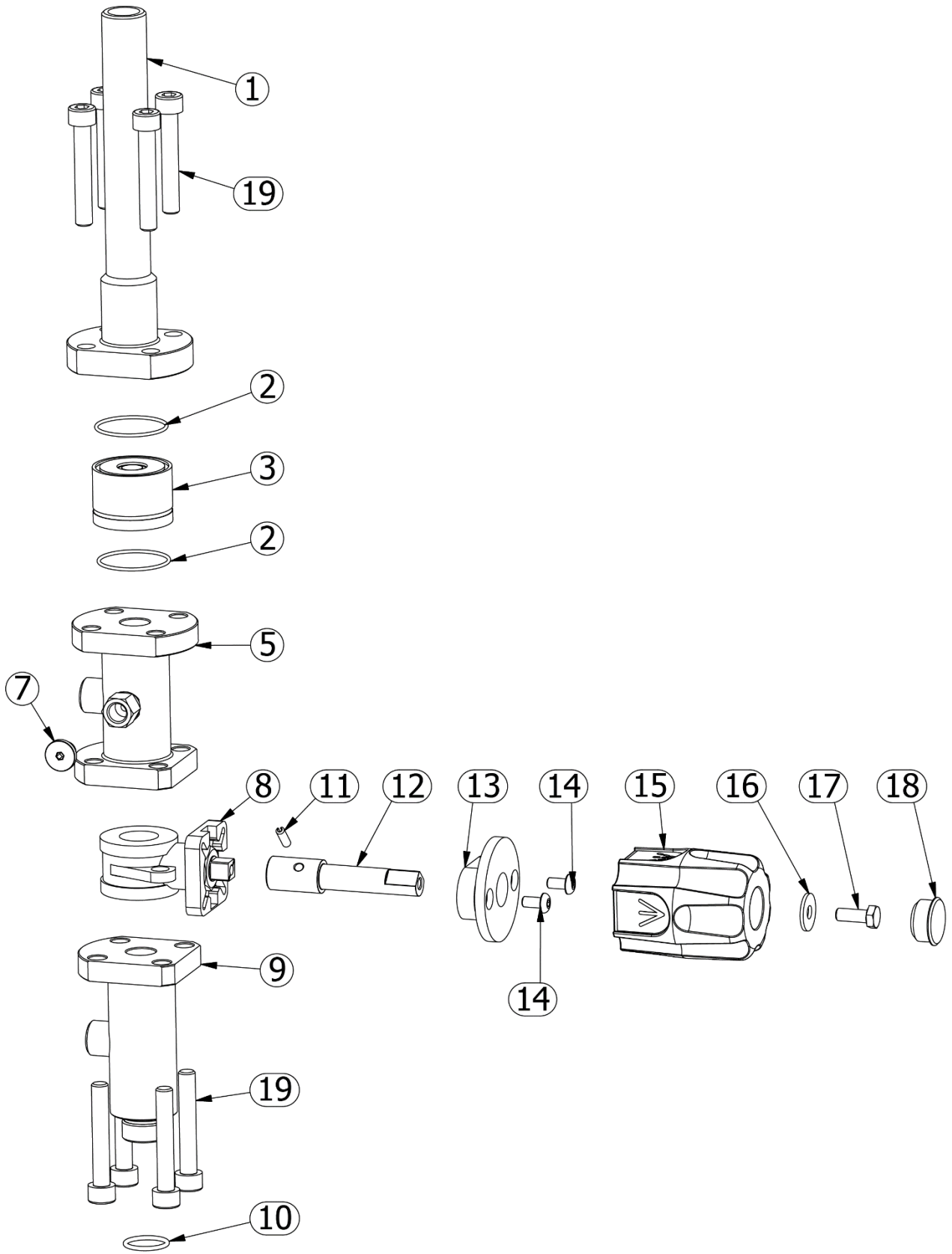
Pos.	Part no.	Description	Material	Version
1	46-500110	Housing S2	AISI 304	All
2	15-510121	Nipple pipe 1/2"x40mm	AISI 316	3-8 bar
3	20-500061	Strainer 1/2" brass 300 µm	Nickel-plated brass	3-8 bar
4	30-000050	Outlet coupling 1/2"	Special stainless	All
5	20-000220	Ball valve 1/2" (blue)	AISI 316	BSP
5	20-000226	Ball valve 1/2"NPT (blue)	AISI 316	NPT
6	16-800060	Outlet nipple 1/2"x37 E/I	AISI 304	All
7	02-160170	Injector system	-	All
8	15-000010	Adapter ø8x1/4" NPT SS	AISI 304	NPT
9	05-010040	Assembly pneumatic S2	-	All
10	15-800032	Union 1/2" with packing, e/i	AISI 316/PTFE	BSP
10	15-800033	Union 1/2" with packing, NPT	AISI 316/PTFE	NPT

Cabinet



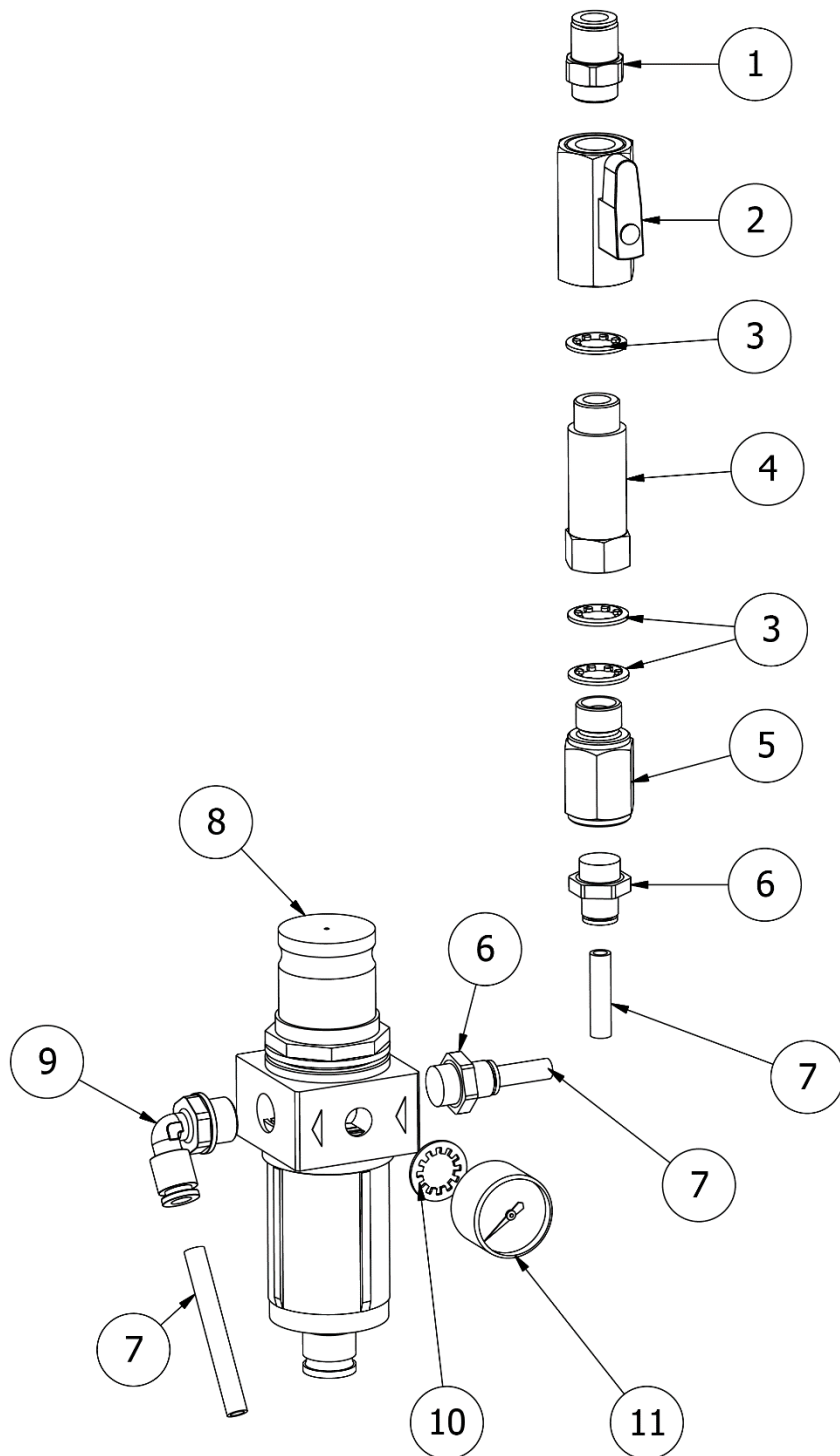
Pos.	Part no.	Description	Material
1	46-500110	Housing S2	AISI 304
2	72-000011	Lock WITHOUT handle	AISI 304/Plastic
4	72-000030	Nut for lock	Nylon
6	72-100010	Key for housing	Plastic
8	04-000172	Spacer ø8	PVC
11	08-100801	Coach screw M8x60	A2
14	08-900010	Rawlplugs S 10	PVC

Injector system



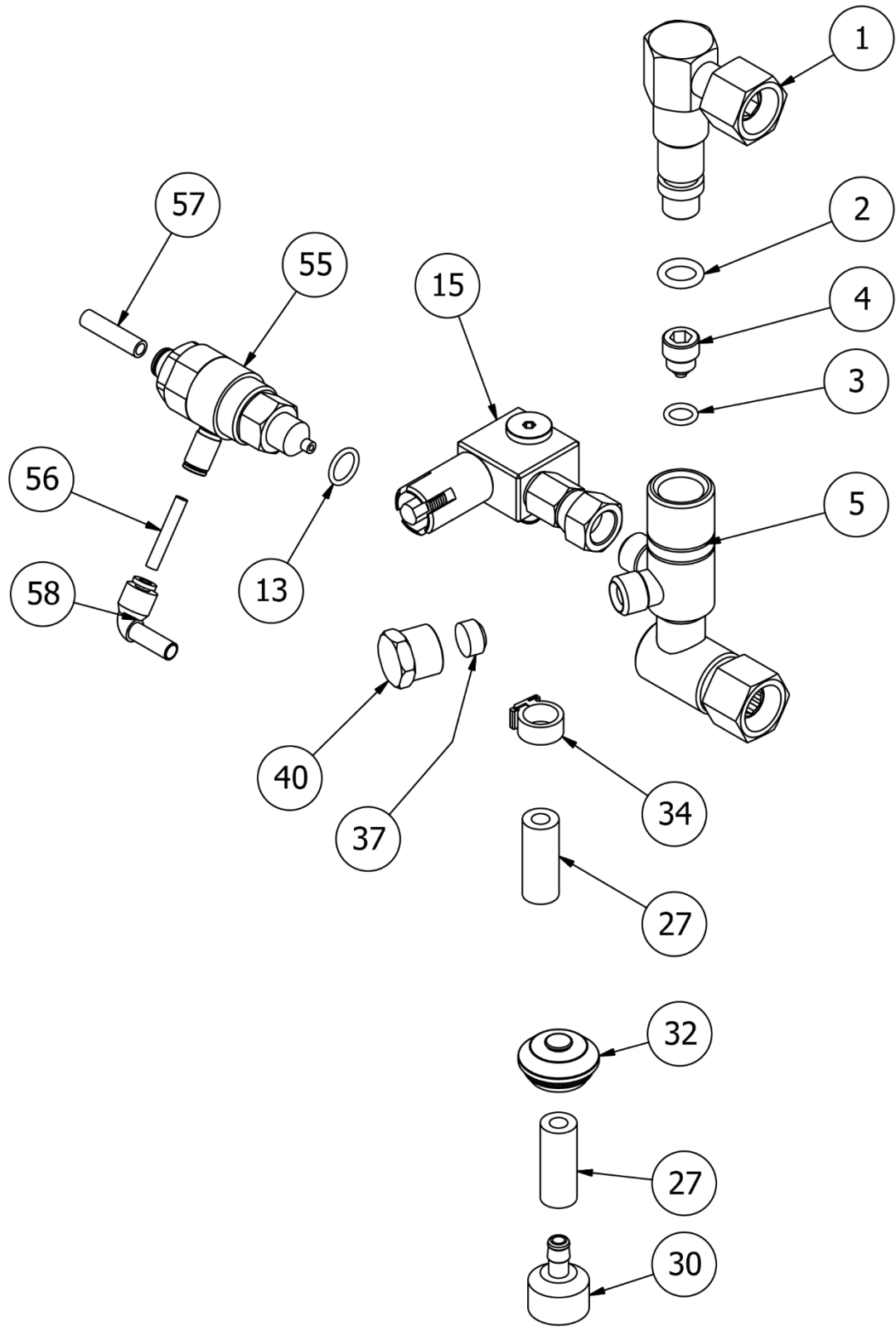
Pos.	Part no.	Description	Material
1	25-000520	Inlet pipe 1/2" BSP	AISI 304
2	17-030129	O-ring 32x1,5 Viton 75 sh	Viton
3	20-200410	Non-return valve 1/2"	AISI 304/NBR
5	25-100420	Intermediate pipe 1/2"	AISI 316
7	16-501802	Plug 1/8"	AISI 316
8	20-000284	Ball valve 1/2" without flange	-
9	25-200350	Outlet pipe 1/2"	AISI 316
10	17-020080	O-ring 18x2 70 shore	EPDM
11	08-105001	Spring pin ø4x14 SS	A2
12	20-000521	Valve stem ø16	AISI 303
13	20-000541	Bushing for valve stem	POM/C
14	08-100501	Screw button head M5x10	A2
15	20-302000	Handle	ABS
16	08-300602	Disc washer ø6	A2
17	08-200606	Set screw M6x16	A2
18	010-200200	Plastic plug ø23xø20mm	Nylon
19	08-800807	Cheese-head screw M8x50	A2

Pneumatic assembly



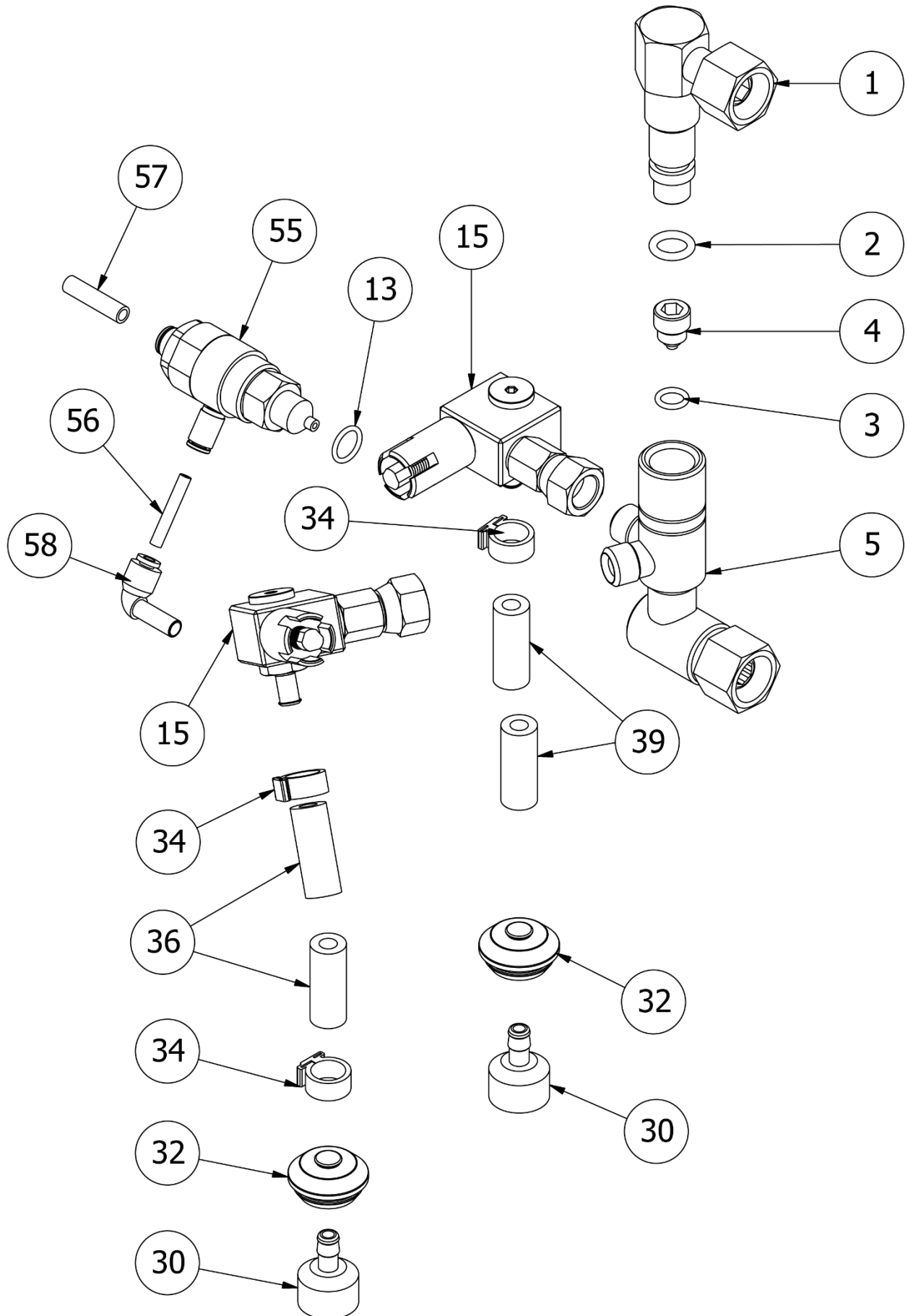
Pos.	Part no.	Description	Material	Version
1	15-000021	Air fitting 1/4"x8 (inside)	Nickel-plated brass/Plastic	Wall
2	20-000050	Ball valve 1/4"	Nickel-plated brass	All
3	17-000012	Gasket 1/4"	PA12	All
4	16-400010	Extension nipple 1/4"x50	Nickel-plated brass	All
5	20-200020	Non-return valve 1/4" air	AISI 316/NBR	All
6	15-010071	Air fitting 1/4"x6	Nickel-plated brass/Plastic	All
7	55-110040	Air hose ø6mm black	PA12	All
8	20-300042	Regulator with filter without gauge	-	All
9	15-010081	Air fitting 1/4"x6 elbow	Nickel-plated brass/Plastic	All
10	17-000072	Gasket 1/8"	Nylon	All
11	22-000071	Gauge ø20 0-10 bar	AISI 304/brass/glycerine	All

Function F



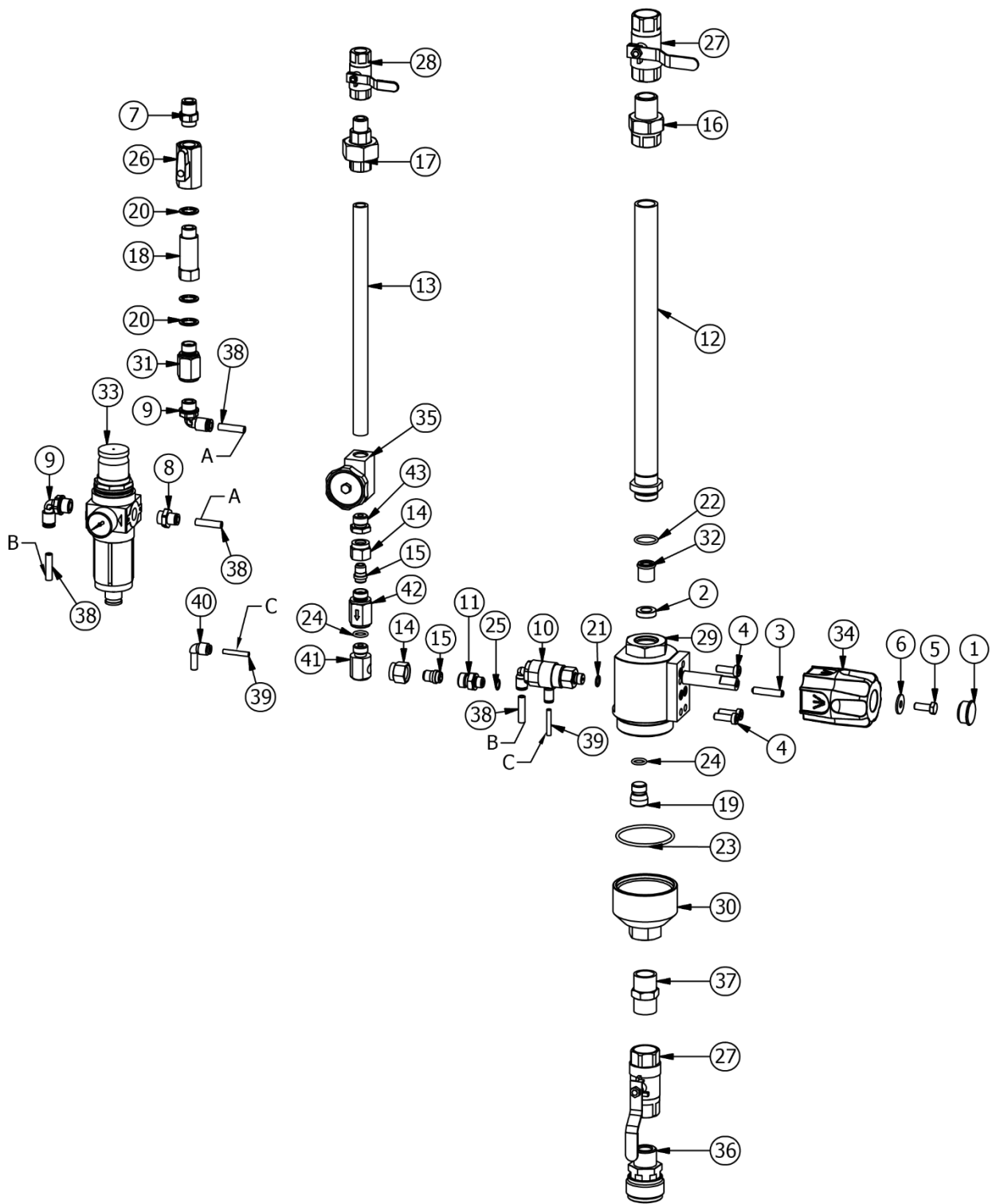
Pos.	Part no.	Description	Material	Version
1	16-110012	Adapter for injector	AISI 316	All
2	17-000132	O-ring 9,92x2,62	NBR	All
3	17-030008	O-ring 7,65x1,78 Viton 70 sh	Viton	All
4	27-200100	Water nozzle ø2,5 mm	AISI 316	3-8 bar
4	27-200020	Water nozzle ø1,8	AISI 316	15-40 bar
5	27-010185	Injector with 2 connections (2 rings)	AISI 316	3-8 bar
5	27-010150	Injector with 2 connections	AISI 316	15-40 bar
13	17-000032	O-ring 10,1x1,6 NBR 70 shore	NBR	All
15	20-400056	Dosing valve concentrated	AISI 316/Viton	All
27	55-200023	Suction hose 1/4"x1500 white	PVC	All
30	27-300040	Suction filter ø6,5	AISI 316	All
32	04-000082	Diaphragm nipple	EPDM	All
34	15-300012	Hose clip for 1/4"	PVC	All
37	04-000232	Cone ø12 black	Plastic	All
40	15-901400	End cap 1/4"	Nickel-plated brass	All
55	15-010161	Air fitting ø2,0	Nickel-plated brass/Plastic	All
56	55-110080	Air hose ø4mm black	PA12	All
57	55-110040	Air hose ø6mm black	PA12	All
58	15-020070	Air fitting 4x6 elbow	Plastic	All

Option F mix



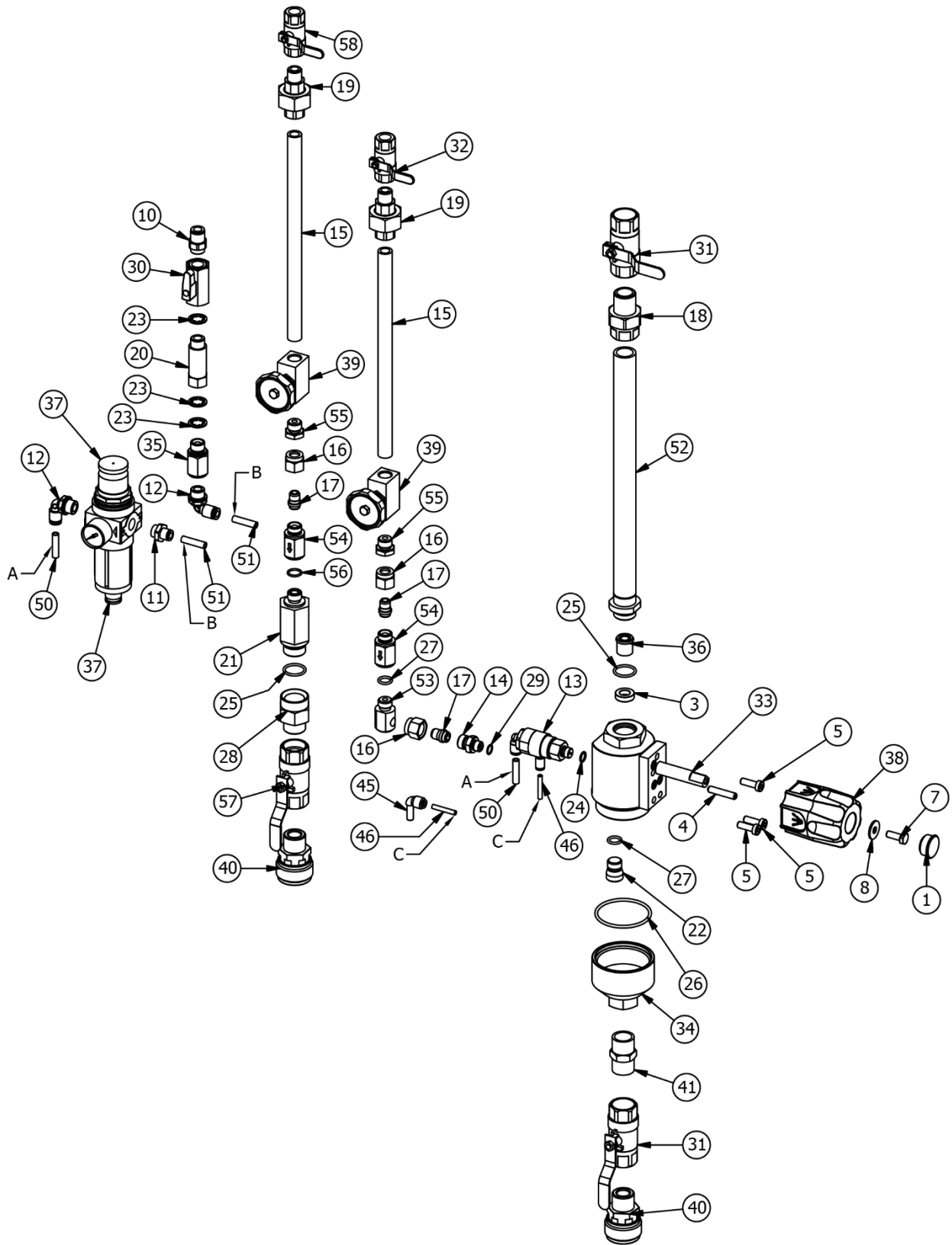
Pos.	Part no.	Description	Material	Version
1	16-110012	Adapter for injector	AISI 316	All
2	17-000132	O-ring 9,92x2,62	NBR	All
3	17-030008	O-ring 7,65x1,78 Viton 70 sh	Viton	All
4	27-200100	Water nozzle ø2,5 mm	AISI 316	3-8 bar
4	27-200020	Water nozzle ø1,8	AISI 316	15-40 bar
5	27-010185	Injector with 2 connections (2 rings)	AISI 316	3-8 bar
5	27-010150	Injector with 2 connections	AISI 316	15-40 bar
13	17-000032	O-ring 10,1x1,6 NBR 70 shore	NBR	All
15	20-400056	Dosing valve concentrated	AISI 316/Viton	All
30	27-300040	Suction filter ø6,5	AISI 316	All
32	04-000082	Diaphragm nipple	EPDM	All
34	15-300012	Hose clip for 1/4"	PVC	All
36	55-200051	Suction hose 1/4" red, m	PVC	All
39	55-200041	Suction hose 12x6 blue, m	PVC	All
55	15-010161	Air fitting ø2,0	Nickel-plated brass/Plastic	All
56	55-110080	Air hose ø4mm black	PA12	All
57	55-110040	Air hose ø6mm black	PA12	All
58	15-020070	Air fitting 4x6 elbow	Plastic	All

Funktion PF



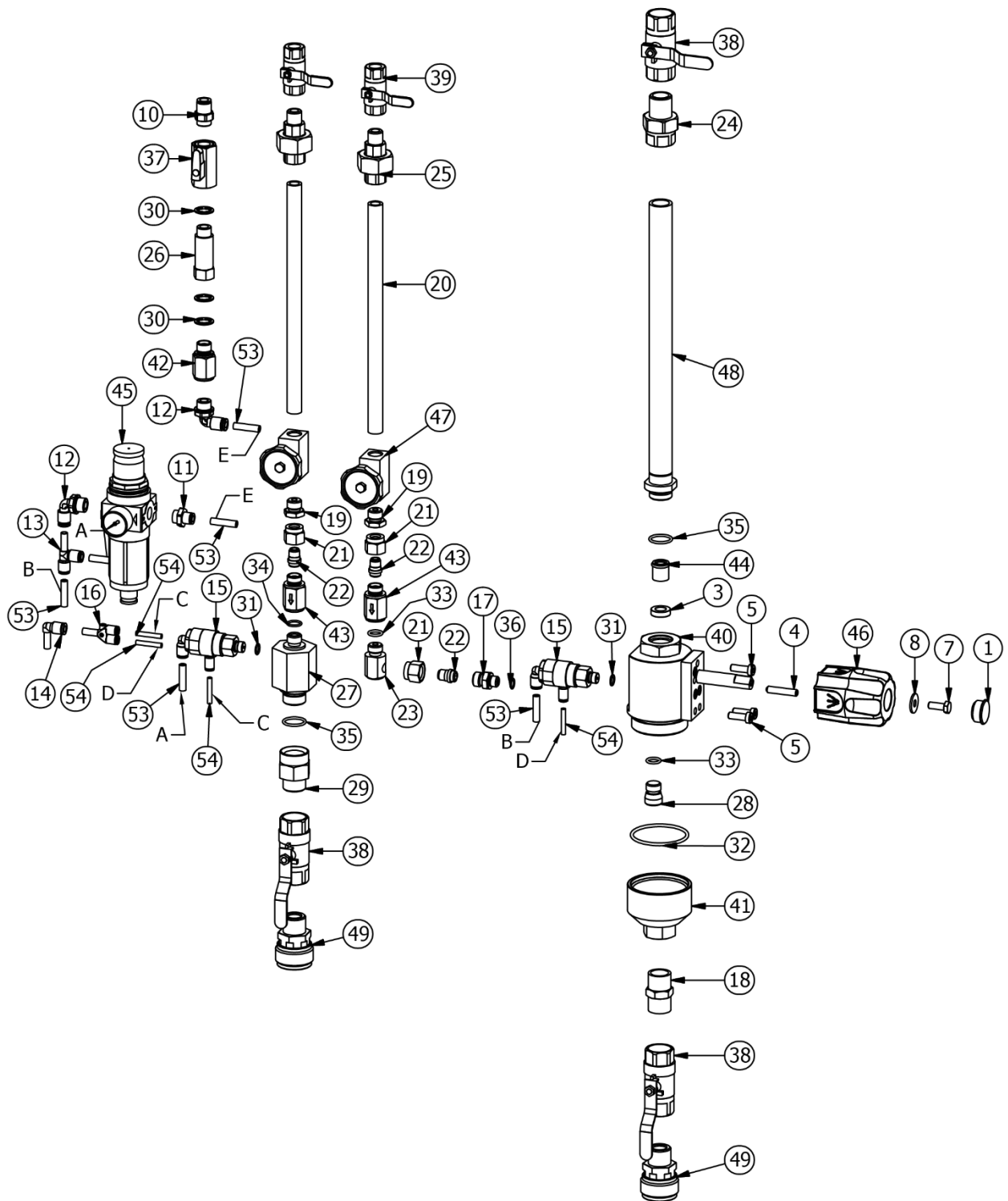
Pos.	Part no.	Description	Material	Version
1	010-200200	Plastic plug ø23xø20mm	Nylon	All
2	04-000193	Washer ø18/ø10,4x5	PTFE	All
3	046-000630	Tailstock screw M6x30mm	A2	All
4	08-100026	Allen screw M6x18 CH RFA2	A2	All
5	08-200606	Set screw M6x16	A2	All
6	08-300602	Disc washer ø6	A2	All
7	15-000021	Air fitting 1/4"x8 (inside)	Nickel-plated brass/Plastic	All
8	15-010071	Air fitting 1/4"x6	Nickel-plated brass/Plastic	All
9	15-010081	Air fitting 1/4"x6 elbow	Nickel-plated brass/Plastic	All
10	15-010166	Air fitting elbow ø1,5	Nickel-plated brass/Plastic	All
11	15-100023	Hexagon nipple 1/4"x1/8" SS	AISI 316	All
12	25-050050	Inlet pipe 1/2"x290mm	AISI 316	All
13	15-510225	Nipple pipe 1/4"x225	AISI 316	All
14	15-600020-02	Nut for elbow	AISI 316	All
15	15-600020-03	Nipple with cone 1/8"	AISI 316	All
16	15-800031	Union 1/2"	Nickel-plated brass	BSP
16	15-800033	Union 1/2" with packing, NPT	AISI 316/PTFE	NPT
17	15-800070	Union 1/4" with packing, E/I	AISI 316/PTFE	All
18	16-400010	Extension nipple 1/4"x50	Nickel-plated brass	All
19	16-500009	Plug M16	AISI 316	All
20	17-000012	Gasket 1/4"	PA12	All
21	17-000020	O-ring ø8x1,25	NBR	All
22	17-020080	O-ring 18x2 70 shore	EPDM	All
23	17-020009	O-ring 48,9x2,62 EPDM 70 sh	EPDM	All
24	17-020055	O-ring 10x2 70 shore	EPDM	All
25	173-000010	O-ring 8x1 EPDM	EPDM	All
26	20-000050	Ball valve 1/4"	Nickel-plated brass	All
27	20-000220	Ball valve 1/2" (blue)	AISI 316	BSP
27	20-000226	Ball valve 1/2"NPT (blue)	AISI 316	NPT
28	20-000242	Ball valve 1/4" SS (white)	AISI 316	BSP
28	20-000244	Ball valve 1/4" SS NPT (white)	AISI 316	NPT
29	20-001001	Valve block PF	-	All
30	20-001100	Outlet valve housing	AISI 303	All
31	20-200020	Non-return valve 1/4" air	AISI 316/NBR	All
32	20-200170	Non-return valve DN 10	Plastic/EPDM	All
33	20-300039	Regulator with filter with gauge	Plastic	All
34	20-302030	Handle	ABS	All
35	20-400012	Needle valve 1/4"	-	All
36	30-000050	Outlet coupling 1/2"	Special stainless	All
37	15-100150	Hexagon nipple 1/2" SS	AISI 316	All
38	55-110040	Air hose ø6mm black	PA12	All
39	55-110080	Air hose ø4mm black	PA12	All
40	15-020070	Air fitting 4x6 elbow	Plastic	All
41	15-600020-04	Housing for Chemical angle	AISI 316	All
42	20-200031	Non-return valve 1/4" chemical (0)	-	All
43	15-200084	Socket 1/4"x1/8"	AISI 316	All

Funktion PF + PD



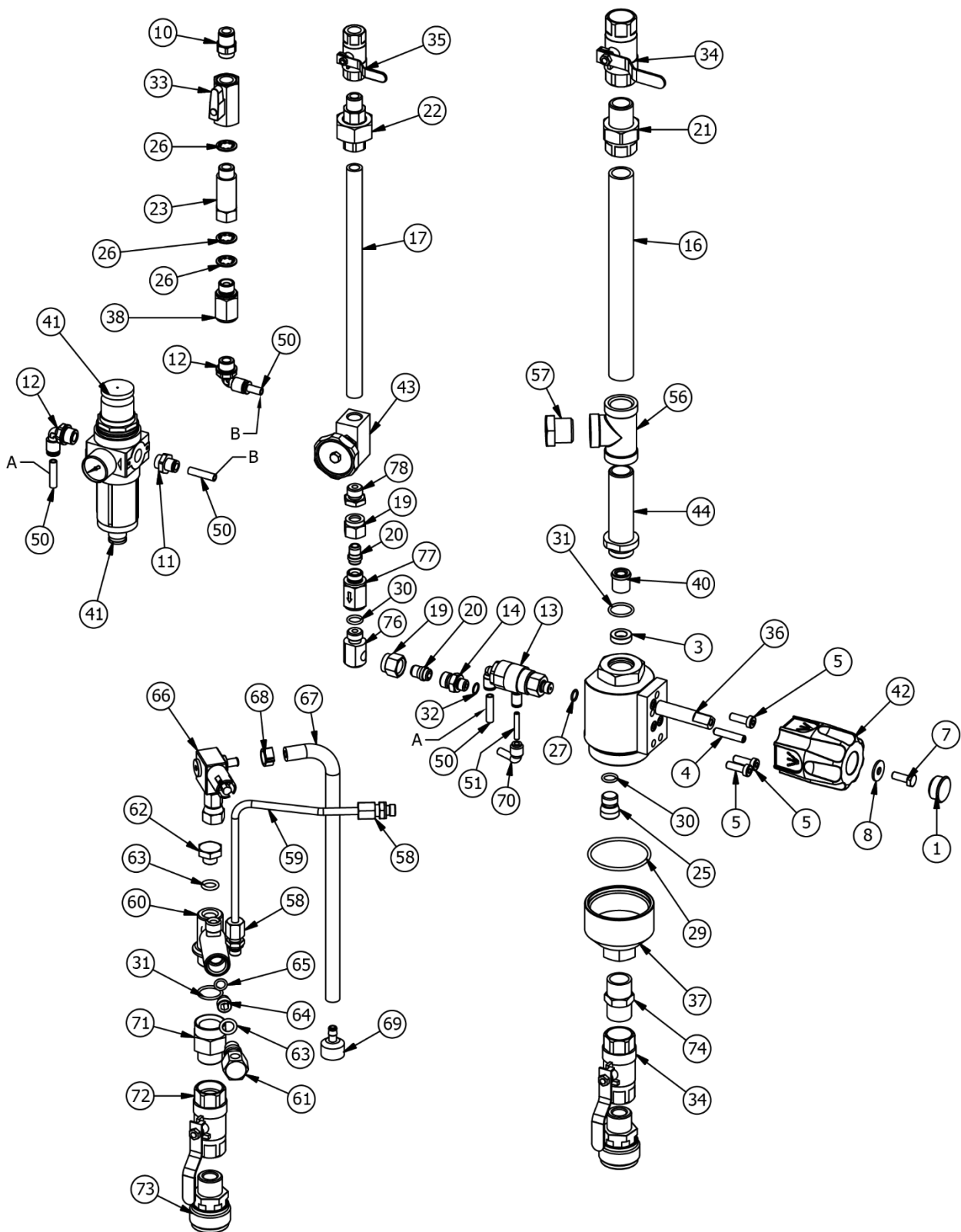
Pos.	Part no.	Description	Material	Version
1	010-200200	Plastic plug ø23xø20mm	Nylon	All
3	04-000193	Washer ø18/ø10,4x5	PTFE	All
4	046-000630	Tailstock screw M6x30mm	A2	All
5	08-100026	Allen screw M6x18 CH RFA2	A2	All
7	08-200606	Set screw M6x16	A2	All
8	08-300602	Disc washer ø6	A2	All
10	15-000021	Air fitting 1/4"x8 (inside)	Nickel-plated brass/Plastic	All
11	15-010071	Air fitting 1/4"x6	Nickel-plated brass/Plastic	All
12	15-010081	Air fitting 1/4"x6 elbow	Nickel-plated brass/Plastic	All
13	15-010166	Air fitting elbow ø1,5	Nickel-plated brass/Plastic	All
14	15-100023	Hexagon nipple 1/4"x1/8" SS	AISI 316	All
15	15-510225	Nipple pipe 1/4"x225	AISI 316	All
16	15-600020-02	Nut for elbow	AISI 316	All
17	15-600020-03	Nipple with cone 1/8"	AISI 316	All
18	15-800031	Union 1/2"	Nickel-plated brass	BSP
18	15-800033	Union 1/2" with packing, NPT	AISI 316/PTFE	NPT
19	15-800070	Union 1/4" with packing, E/I	AISI 316/PTFE	All
20	16-400010	Extension nipple 1/4"x50	Nickel-plated brass	All
21	16-400090	Extension nipple 1/4"x1/2"	AISI 316	All
22	16-500009	Plug M16	AISI 316	All
23	17-000012	Gasket 1/4"	PA12	All
24	17-000020	O-ring ø8x1,25	NBR	All
25	17-020080	O-ring 18x2 70 shore	EPDM	All
26	17-020009	O-ring 48,9x2,62 EPDM 70 sh	EPDM	All
27	17-020055	O-ring 10x2 70 shore	EPDM	All
28	16-800060	Outlet nipple 1/2"x37 E/I	AISI 304	All
29	173-000010	O-ring 8x1 EPDM	EPDM	All
30	20-000050	Ball valve 1/4"	Nickel-plated brass	All
31	20-000220	Ball valve 1/2" (blue)	AISI 316	BSP
31	20-000226	Ball valve 1/2"NPT (blue)	AISI 316	NPT
32	20-000242	Ball valve 1/4" SS (white)	AISI 316	BSP
32	20-000244	Ball valve 1/4" SS NPT (white)	AISI 316	NPT
33	20-001001	Valve block PF	-	All
34	20-001100	Outlet valve housing	AISI 303	All
35	20-200020	Non-return valve 1/4" air	AISI 316/NBR	All
36	20-200170	Non-return valve DN 10	Plastic/EPDM	All
37	20-300039	Regulator with filter with gauge	Plastic	All
38	20-302030	Handle	ABS	All
39	20-400012	Needle valve 1/4"	-	All
40	30-000050	Outlet coupling 1/2"	Special stainless	All
41	15-100150	Hexagon nipple 1/2" SS	AISI 316	All
45	15-020070	Air fitting 4x6 elbow	Plastic	All
46	55-110080	Air hose ø4mm black	PA12	All
50	55-110040	Air hose ø6mm black	PA12	All
51	55-110040	Air hose ø6mm black	PA12	All
52	25-050050	Inlet pipe 1/2"x290mm	AISI 316	All
53	15-600020-04	Housing for Chemical angle	AISI 316	All
54	20-200031	Non-return valve 1/4" chemical (0)	-	All
55	15-200084	Socket 1/4"x1/8"	AISI 316	All
56	17-020056	O-ring 11x1,5 70 shore	EPDM	All
57	20-000221	Ball valve 1/2" (Yellow)	AISI 316	All
58	20-000241	Ball valve 1/4" SS (Yellow)	AISI 316	BSP
58	20-000245	Ball valve 1/4" SS NPT (Yellow)	AISI 316	NPT

Funktion PF + PF



Pos.	Part no.	Description	Material	Version
1	010-200200	Plastic plug ø23xø20mm	Nylon	All
3	04-000193	Washer ø18/ø10,4x5	PTFE	All
4	046-000630	Tailstock screw M6x30mm	A2	All
5	08-100026	Allen screw M6x18 CH RFA2	A2	All
7	08-200606	Set screw M6x16	A2	All
8	08-300602	Disc washer ø6	A2	All
10	15-000021	Air fitting 1/4"x8 (inside)	Nickel-plated brass/Plastic	All
11	15-010071	Air fitting 1/4"x6	Nickel-plated brass/Plastic	All
12	15-010081	Air fitting 1/4"x6 elbow	Nickel-plated brass/Plastic	All
13	15-010111	Air fitting 6/6/6 (T-piece)	Plastic	All
14	15-010120	Air fitting 6x6 elbow	Plastic	All
15	15-010166	Air fitting elbow ø1,5	Nickel-plated brass/Plastic	All
16	15-010041	Air fitting 6/4/4 Y	Plastic	All
17	15-100023	Hexagon nipple 1/4"x1/8" SS	AISI 316	All
18	15-100150	Hexagon nipple 1/2" SS	AISI 316	All
19	15-200084	Socket 1/4"x1/8"	AISI 316	All
20	15-510225	Nipple pipe 1/4"x225	AISI 316	All
21	15-600020-02	Nut for elbow	AISI 316	All
22	15-600020-03	Nipple with cone 1/8"	AISI 316	All
23	15-600020-04	Housing for Chemical angle	AISI 316	All
24	15-800031	Union 1/2"	Nickel-plated brass	BSP
24	15-800033	Union 1/2" with packing, NPT	AISI 316/PTFE	NPT
25	15-800070	Union 1/4" with packing, E/I	AISI 316/PTFE	All
26	16-400010	Extension nipple 1/4"x50	Nickel-plated brass	All
27	16-400095	Extension nipple 1/4"x1/2"	AISI 304	All
28	16-500009	Plug M16	AISI 316	All
29	16-800060	Outlet nipple 1/2"x37 E/I	AISI 304	All
30	17-000012	Gasket 1/4"	PA12	All
31	17-000020	O-ring ø8x1,25	NBR	All
32	17-020009	O-ring 48,9x2,62 EPDM 70 sh	EPDM	All
33	17-020055	O-ring 10x2 70 shore	EPDM	All
34	17-020056	O-ring 11x1,5 70 shore	EPDM	All
35	17-020080	O-ring 18x2 70 shore	EPDM	All
36	173-000010	O-ring 8x1 EPDM	EPDM	All
37	20-000050	Ball valve 1/4"	Nickel-plated brass	All
38	20-000220	Ball valve 1/2" (blue)	AISI 316	BSP
38	20-000226	Ball valve 1/2"NPT (blue)	AISI 316	NPT
39	20-000242	Ball valve 1/4" SS (white)	AISI 316	BSP
39	20-000244	Ball valve 1/4" SS NPT (white)	AISI 316	NPT
40	20-001001	Valve block PF	-	All
41	20-001100	Outlet valve housing	AISI 303	All
42	20-200020	Non-return valve 1/4" air	AISI 316/NBR	All
43	20-200031	Non-return valve 1/4" chemical (0)	-	All
44	20-200170	Non-return valve DN 10	Plastic/EPDM	All
45	20-300039	Regulator with filter with gauge	Plastic	All
46	20-302030	Handle	ABS	All
47	20-400012	Needle valve 1/4"	-	All
48	25-050050	Inlet pipe 1/2"x290mm	AISI 316	All
49	30-000050	Outlet coupling 1/2"	Special stainless	All
53	55-110040	Air hose ø6mm black	PA12	All
54	55-110080	Air hose ø4mm black	PA12	All

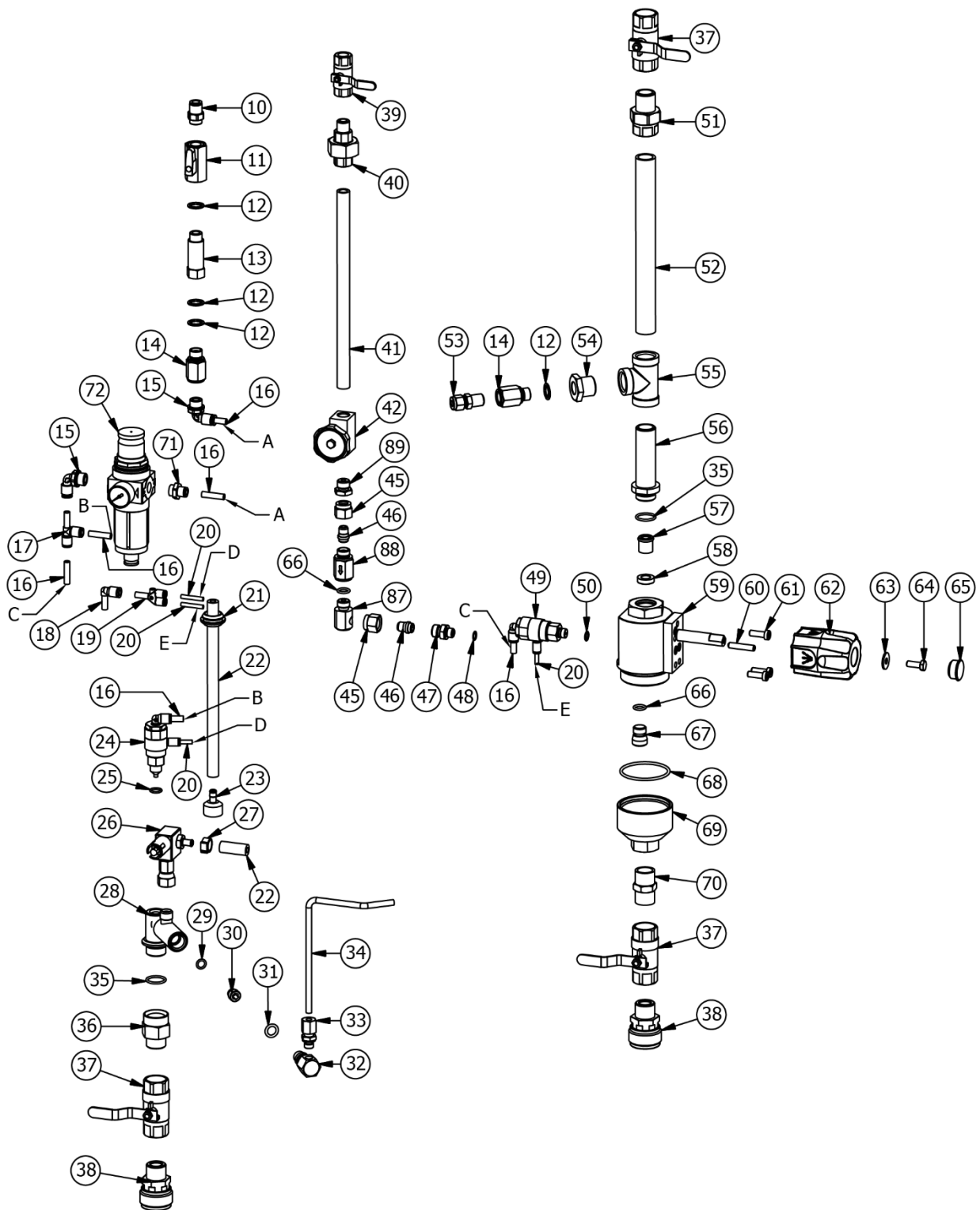
Funktion PF + D



Pos.	Part no.	Description	Material	Version
1	010-200200	Plastic plug $\varnothing 23 \times \varnothing 20 \text{mm}$	Nylon	All
3	04-000193	Washer $\varnothing 18 / \varnothing 10,4 \times 5$	PTFE	All
4	046-000630	Tailstock screw M6x30mm	A2	All
5	08-100026	Allen screw M6x18 CH RFA2	A2	All
7	08-200606	Set screw M6x16	A2	All

8	08-300602	Disc washer ø6	A2	All
10	15-000021	Air fitting 1/4"x8 (inside)	Nickel-plated brass/Plastic	All
11	15-010071	Air fitting 1/4"x6	Nickel-plated brass/Plastic	All
12	15-010081	Air fitting 1/4"x6 elbow	Nickel-plated brass/Plastic	All
13	15-010166	Air fitting elbow ø1,5	Nickel-plated brass/Plastic	All
14	15-100023	Hexagon nipple 1/4"x1/8" SS	AISI 316	All
16	15-510230	Nipple pipe 1/2"x200mm	AISI 316	All
17	15-510225	Nipple pipe 1/4"x225	AISI 316	All
19	15-600020-02	Nut for elbow	AISI 316	All
20	15-600020-03	Nipple with cone 1/8"	AISI 316	All
21	15-800031	Union 1/2"	Nickel-plated brass	BSP
21	15-800033	Union 1/2" with packing, NPT	AISI 316/PTFE	NPT
22	15-800070	Union 1/4" with packing, E/I	AISI 316/PTFE	All
23	16-400010	Extension nipple 1/4"x50	Nickel-plated brass	All
25	16-500009	Plug M16	AISI 316	All
26	17-000012	Gasket 1/4"	PA12	All
27	17-000020	O-ring ø8x1,25	NBR	All
29	17-020009	O-ring 48,9x2,62 EPDM 70 sh	EPDM	All
30	17-020055	O-ring 10x2 70 shore	EPDM	All
31	17-020080	O-ring 18x2 70 shore	EPDM	All
32	173-000010	O-ring 8x1 EPDM	EPDM	All
33	20-000050	Ball valve 1/4"	Nickel-plated brass	All
34	20-000220	Ball valve 1/2" (blue)	AISI 316	BSP
34	20-000226	Ball valve 1/2"NPT (blue)	AISI 316	NPT
35	20-000242	Ball valve 1/4" SS (white)	AISI 316	BSP
35	20-000244	Ball valve 1/4" SS NPT (white)	AISI 316	NPT
36	20-001001	Valve block PF	-	All
37	20-001100	Outlet valve housing	AISI 303	All
38	20-200020	Non-return valve 1/4" air	AISI 316/NBR	All
40	20-200170	Non-return valve DN 10	Plastic/EPDM	All
41	20-300039	Regulator with filter with gauge	Plastic	All
42	20-302030	Handle	ABS	All
43	20-400012	Needle valve 1/4"	-	All
44	25-000720	Inlet pipe 1/2" BSP	AISI 304	All
50	55-110040	Air hose ø6mm black	PA12	All
51	55-110080	Air hose ø4mm black	PA12	All
56	15-700030	Tee, 1/4" I/I/I	AISI 316	All
57	15-200130	Socket 1/2"x1/8"	AISI 316	All
58	26-100020	Clamping ring fitting 1/8"x6	AISI 316	All
59	26-000431	Pipe ø6x1 for injector	AISI 316	All
60	27-010111	Injector housing with 1 connection	AISI 316	All
61	16-100100	Adapter 1/8"xM12x1	AISI 316	All
62	16-500010	Plug M12x1	AISI 316	All
63	17-000132	O-ring 9,92x2,62	NBR	All
64	27-200020	Water nozzle ø1,8	AISI 316	All
65	17-030008	O-ring 7,65x1,78 Viton 70 sh	Viton	All
66	20-400056	Dosing valve concentrated	AISI 316/Viton	All
67	55-200060	Suction hose 1/4"x1650 yellow	PVC	All
68	15-300012	Hose clip for 1/4"	PVC	All
69	27-300040	Suction filter ø6,5	AISI 316	All
70	15-020070	Air fitting 4x6 elbow	Plastic	All
71	16-800060	Outlet nipple 1/2"x37 E/I	AISI 304	All
72	20-000221	Ball valve 1/2" (Yellow)	AISI 316	All
73	30-000050	Outlet coupling 1/2"	Special stainless	All
74	15-100150	Hexagon nipple 1/2" SS	AISI 316	All
76	15-600020-04	Housing for Chemical angle	AISI 316	All
77	20-200031	Non-return valve 1/4" chemical (0)	-	All
78	15-200084	Socket 1/4"x1/8"	AISI 316	All

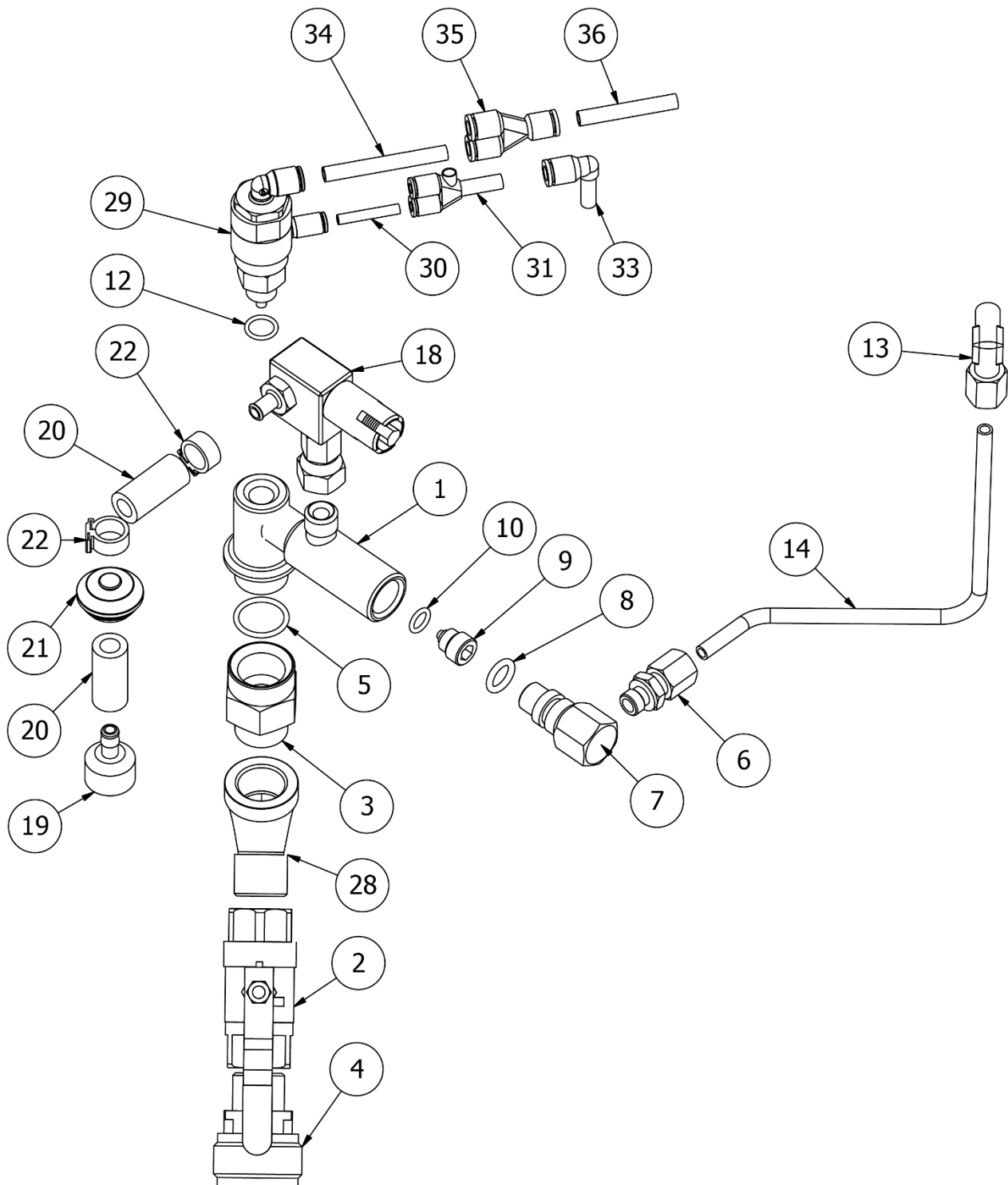
Funktion PF + F



Pos.	Part no.	Description	Material	Version
10	15-000021	Air fitting 1/4"x8 (inside)	Nickel-plated brass/Plastic	All
11	20-000050	Ball valve 1/4"	Nickel-plated brass	All
12	17-000012	Gasket 1/4"	PA12	All
13	16-400010	Extension nipple 1/4"x50	Nickel-plated brass	All
14	20-200020	Non-return valve 1/4" air	AISI 316/NBR	All
15	15-010081	Air fitting 1/4"x6 elbow	Nickel-plated brass/Plastic	All
16	55-110040	Air hose ø6mm black	PA12	All

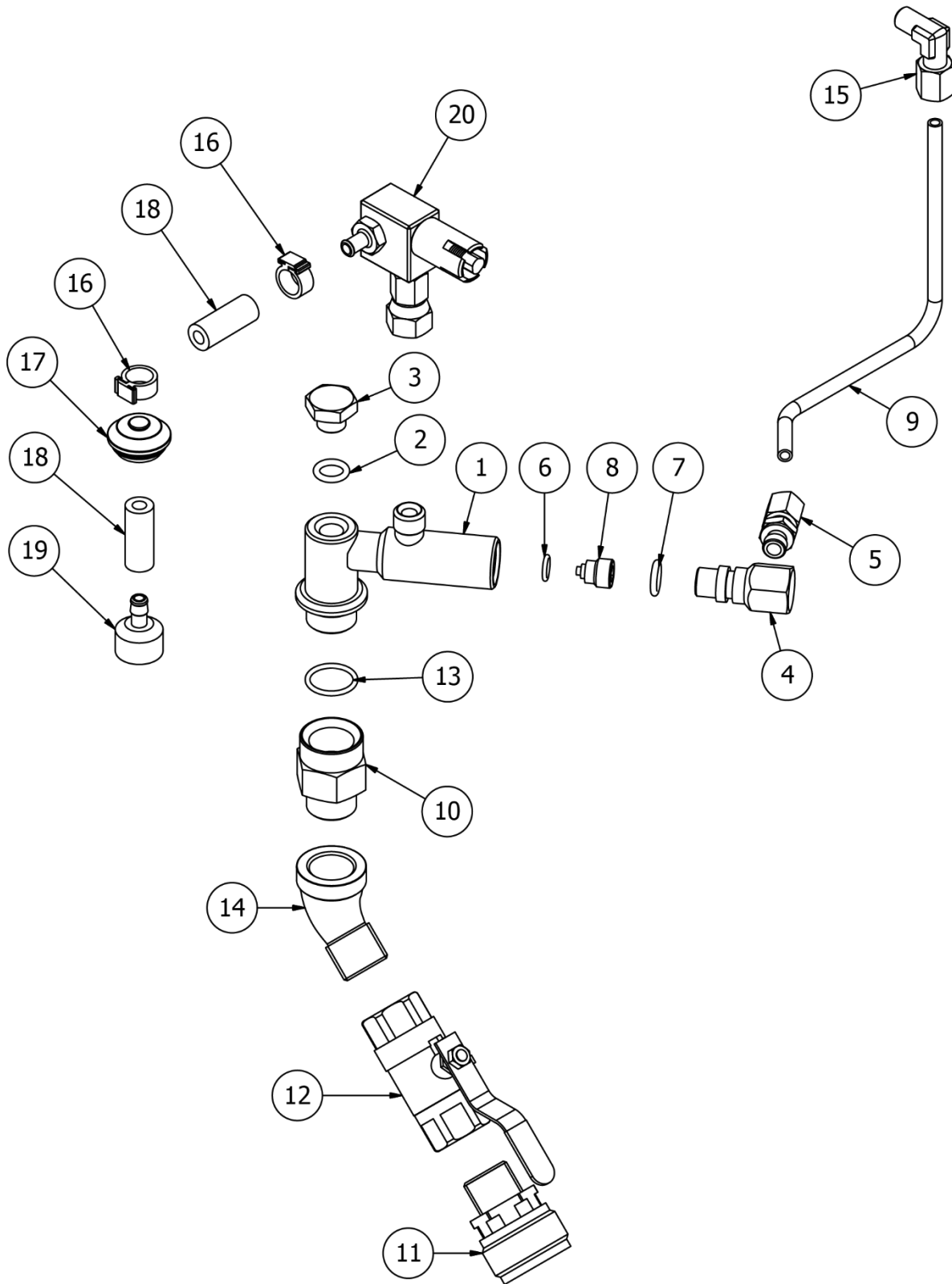
17	15-010111	Air fitting 6/6/6 (T-piece)	Plastic	All
18	15-010120	Air fitting 6x6 elbow	Plastic	All
19	15-010041	Air fitting 6/4/4 Y	Plastic	All
20	55-110080	Air hose ø4mm black	PA12	All
21	04-000082	Diaphragm nipple	EPDM	All
22	55-200020	Suction hose 1/4" white, m	PVC	All
23	27-300040	Suction filter ø6,5	AISI 316	All
24	15-010162	Air fitting elbow ø2,0	Nickel-plated brass/Plastic	All
25	17-000032	O-ring 10,1x1,6 NBR 70 shore	NBR	All
26	20-400056	Dosing valve concentrated	AISI 316/Viton	All
27	15-300012	Hose clip for 1/4"	PVC	All
28	27-010111	Injector housing with 1 connection	AISI 316	All
29	17-030008	O-ring 7,65x1,78 Viton 70 sh	Viton	All
30	27-200020	Water nozzle ø1,8	AISI 316	All
31	17-000132	O-ring 9,92x2,62	NBR	All
32	16-100100	Adapter 1/8"xM12x1	AISI 316	All
33	26-100020	Clamping ring fitting 1/8"x6	AISI 316	All
34	26-000432	Pipe ø6x1 for injector	AISI 316	All
35	17-020080	O-ring 18x2 70 shore	EPDM	All
36	16-800060	Outlet nipple 1/2"x37 E/I	AISI 304	All
37	20-000220	Ball valve 1/2" (blue)	AISI 316	BSP
37	20-000226	Ball valve 1/2"NPT (blue)	AISI 316	NPT
38	30-000050	Outlet coupling 1/2"	Special stainless	All
39	20-000242	Ball valve 1/4" SS (white)	AISI 316	BSP
39	20-000244	Ball valve 1/4" SS NPT (white)	AISI 316	NPT
40	15-800070	Union 1/4" with packing, E/I	AISI 316/PTFE	All
41	15-510225	Nipple pipe 1/4"x225	AISI 316	All
42	20-400012	Needle valve 1/4"	-	All
45	15-600020-02	Nut for elbow	AISI 316	All
46	15-600020-03	Nipple with cone 1/8"	AISI 316	All
47	15-100023	Hexagon nipple 1/4"x1/8" SS	AISI 316	All
48	173-000010	O-ring 8x1 EPDM	EPDM	All
49	15-010166	Air fitting elbow ø1,5	Nickel-plated brass/Plastic	All
50	17-000020	O-ring ø8x1,25	NBR	All
51	15-800031	Union 1/2"	Nickel-plated brass	BSP
51	15-800033	Union 1/2" with packing, NPT	AISI 316/PTFE	NPT
52	15-510230	Nipple pipe 1/2"x200mm	AISI 316	All
53	26-100050	Clamping ring fitting 1/4"x6	AISI 316	All
54	15-200070	Socket 1/2"x1/4"	AISI 316	All
55	15-700030	Tee, 1/4" I/I/I	AISI 316	All
56	25-000720	Inlet pipe 1/2" BSP	AISI 304	All
57	20-200170	Non-return valve DN 10	Plastic/EPDM	All
58	04-000193	Washer ø18/ø10,4x5	PTFE	All
59	20-001001	Valve block PF	-	All
60	046-000630	Tailstock screw M6x30mm	A2	All
61	08-100026	Allen screw M6x18 CH RFA2	A2	All
62	20-302030	Handle	ABS	All
63	08-300602	Disc washer ø6	A2	All
64	08-200606	Set screw M6x16	A2	All
65	010-200200	Plastic plug ø23xø20mm	Nylon	All
66	17-020055	O-ring 10x2 70 shore	EPDM	All
67	16-500009	Plug M16	AISI 316	All
68	17-020009	O-ring 48,9x2,62 EPDM 70 sh	EPDM	All
69	20-001100	Outlet valve housing	AISI 303	All
70	15-100150	Hexagon nipple 1/2" SS	AISI 316	All
71	15-010071	Air fitting 1/4"x6	Nickel-plated brass/Plastic	All
72	20-300039	Regulator with filter with gauge	Plastic	All
87	15-600020-04	Housing for Chemical angle	AISI 316	All
88	20-200031	Non-return valve 1/4" chemical (0)	-	All
89	15-200084	Socket 1/4"x1/8"	AISI 316	All

Separate F-injector



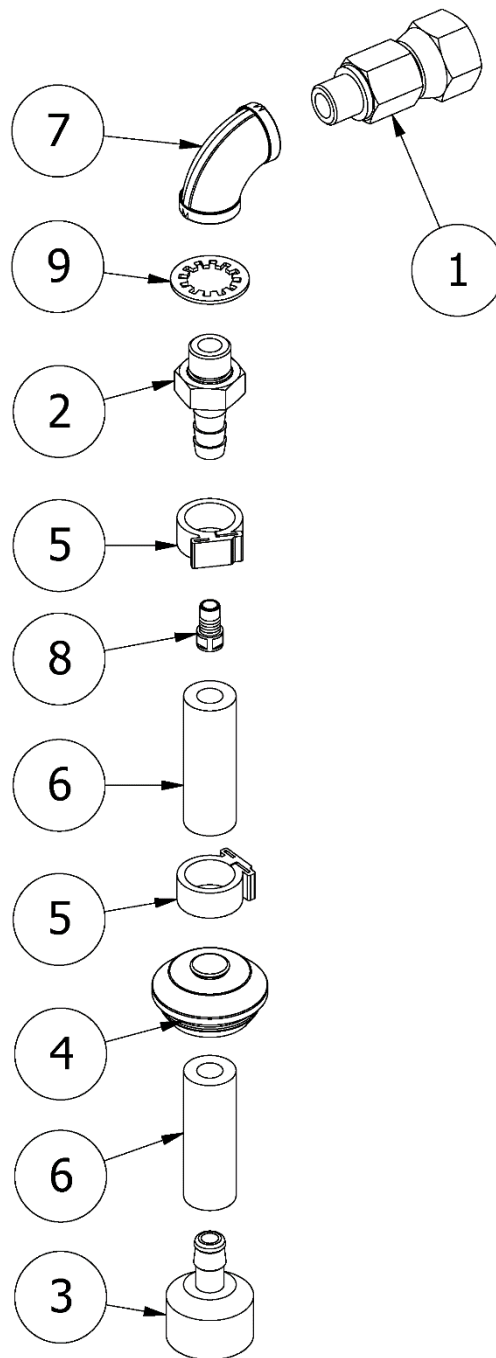
Pos.	Part no.	Description	Material	Version
1	27-010111	Injector housing with 1 connection	AISI 316	15-40 bar
1	27-010180-01	Injector with 1 connections	AISI 316	3-8 bar
2	20-000220	Ball valve 1/2" (blue)	AISI 316	All
3	16-800060	Outlet nipple 1/2"x37 E/I	AISI 304	All
4	30-000050	Outlet coupling 1/2"	Special stainless	All
5	17-020080	O-ring 18x2 70 sh	EPDM	All
6	26-100020	Clamping ring fitting 1/8"x6	AISI 316	All
7	16-100100	Adapter 1/8"xM12x1	AISI 316	All
8	17-000132	O-ring 9,92x2,62	NBR	All
9	27-200100	Water nozzle ø2,5 mm	AISI 316	3-8 bar
9	27-200020	Water nozzle ø1,8	AISI 316	15-40 bar
10	17-030008	O-ring 7,65x1,78 Viton 70 sh	Viton	All
12	17-000032	O-ring 10,1x1,6 NBR 70 shore	NBR	All
13	26-100030	Clamping ring fitting 1/8"x6	AISI 316	All
14	26-000430	Pipe ø6x1 for injector	AISI 316	All
18	20-400056	Dosing valve concentrated	AISI 316/Viton	All
19	27-300040	Suction filter ø6,5	AISI 316	All
20	55-200010	Suction hose 1/4"x1650 white	PVC	All
21	04-000082	Diaphragm nipple	EPDM	All
22	15-300012	Hose clip for 1/4"	PVC	All
28	15-600350	Elbow 1/2" SS 45° E/I	AISI 316	Trolley
29	15-010162	Air fitting elbow ø2,0	Nickel-plated brass/Plastic	All
30	55-110080	Air hose ø4mm black	PA12	All
31	15-010041	Air fitting 6/4/4 Y	Plastic	All
33	15-010120	Air fitting 6x6 elbow	Plastic	All
34	55-110045	Air hose ø6x200 black	PA12	All
35	15-010040	Air fitting ø6 Y	Plastic	All
36	55-110036	Air hose 6x40 black	PA12	All

Separate D-injector



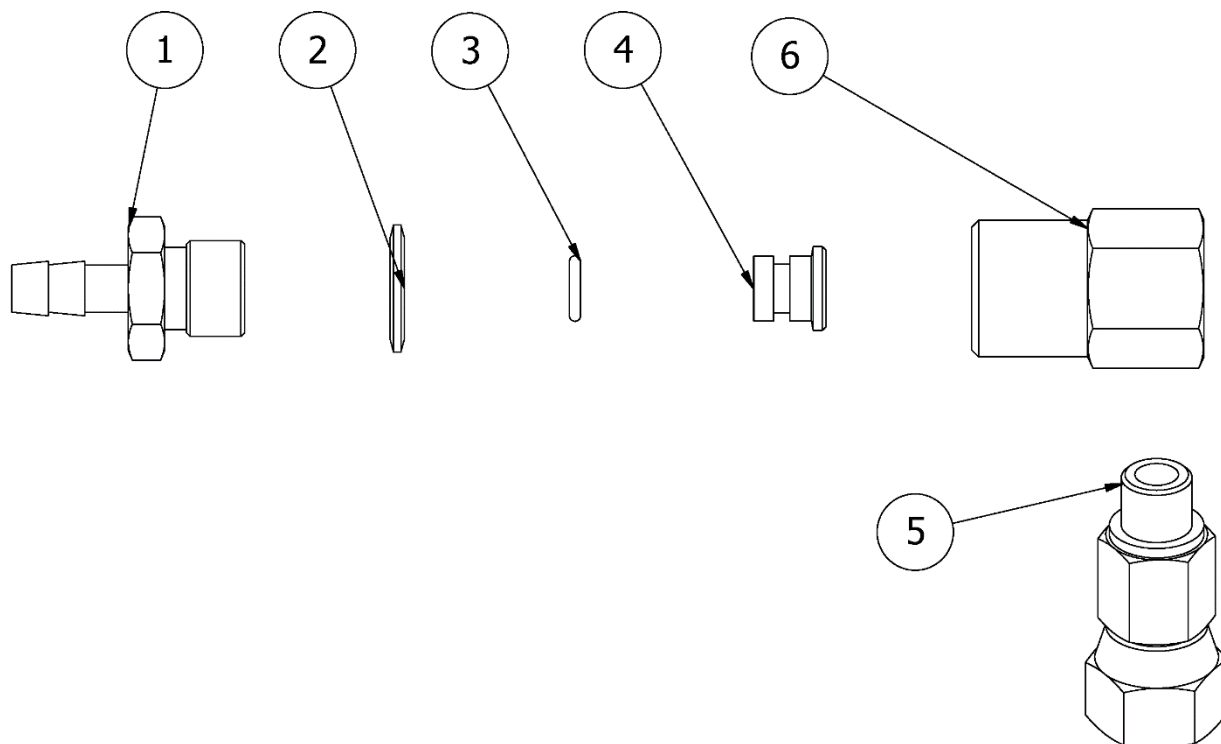
Pos.	Part no.	Description	Material	Version
1	27-010111	Injector housing with 1 connection	AISI 316	15-40 bar
1	27-010180-01	Injector with 1 connections	AISI 316	3-8 bar
2	17-000132	O-ring 9,92x2,62	NBR	All
3	16-500010	Plug M12x1	AISI 316	All
4	16-100100	Adapter 1/8"xM12x1	AISI 316	All
5	26-100020	Clamping ring fitting 1/8"x6	AISI 316	All
6	17-030008	O-ring 7,65x1,78 Viton 70 sh	Viton	All
7	17-000132	O-ring 9,92x2,62	NBR	All
8	27-200020	Water nozzle ø1,8	AISI 316	15-40 bar
8	27-200100	Water nozzle ø2,5 mm	AISI 316	3-8 bar
9	26-000430	Pipe ø6x1 for injector	AISI 316	All
10	16-800060	Outlet nipple 1/2"x37 E/I	AISI 304	All
11	30-000050	Outlet coupling 1/2"	Special stainless	All
12	20-000221	Ball valve 1/2" (Yellow)	AISI 316	All
13	17-020080	O-ring 18x2 70 shore	EPDM	All
14	15-600350	Elbow 1/2" SS 45° E/I	AISI 316	Trolley
15	26-100030	Clamping ring fitting 1/8"x6	AISI 316	All
16	15-300012	Hose clip for 1/4"	PVC	All
17	04-000082	Diaphragm nipple	EPDM	All
18	55-200060	Suction hose 1/4"x1650 yellow	PVC	All
19	27-300040	Suction filter ø6,5	AISI 316	All
20	20-400056	Dosing valve concentrated	AISI 316/Viton	All

Fixed dosing



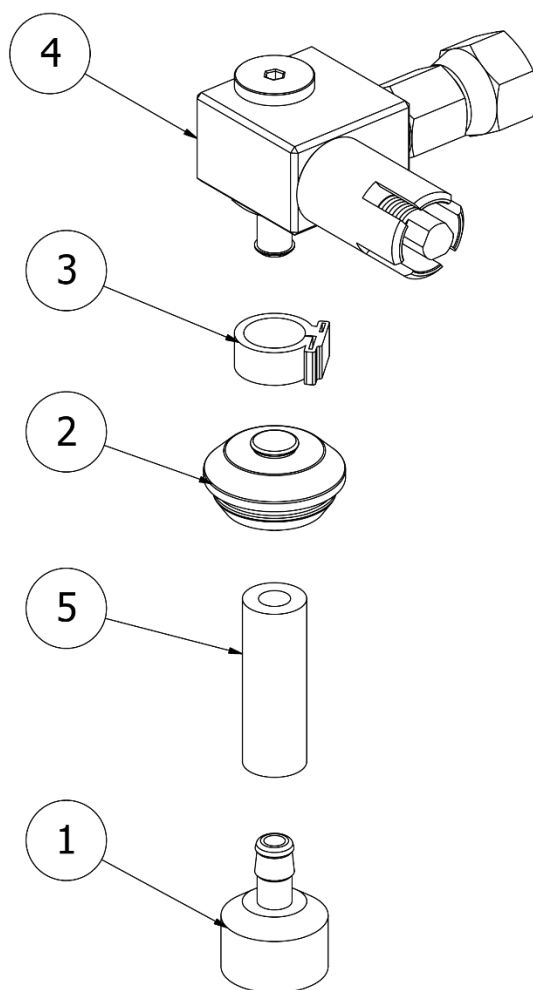
Pos.	Part no.	Description	Material
1	20-200111	Non-return valve for dosing valve VITON	Viton/AISI 316
2	182-000180-01	Hose nipple 1/8"	AISI 316
3	27-300040	Suction filter ø6,5	AISI 316
4	04-000082	Diaphragm nipple	EPDM
5	15-300012	Hose clip for 1/4"	PVC
6	55-200010	Suction hose 1/4"x1650 white	PVC
6	55-200040	Suction hose 1/4"x1650 blue	PVC
6	55-200052	Suction hose 1/4"x1650 red	PVC
6	55-200060	Suction hose 1/4"x1650 yellow	PVC
7	15-600341	Elbow 1/8" 90°, i/i	AISI 316
8	294-100000	Set of chemical limiter (7)	PVC
9	17-000072	Gasket 1/8"	Nylon

Fixed dosing stainless



Pos.	Part no.	Description	Material
1	55-600010	Hose nipple 1/4"x7,5	AISI 316
2	17-000012	Gasket 1/4"	PA12
3	17-000122	O-ring 6,0x1,5 Viton	Viton
4	27-400004-01	Chemical limiter ø0,4 SS	AISI 316
4	27-400005-01	Chemical limiter ø0,5 SS	AISI 316
4	27-400006-01	Chemical limiter ø0,6 SS	AISI 316
4	27-400007-01	Chemical limiter ø0,7 SS	AISI 316
4	27-400008-01	Chemical limiter ø0,8 SS	AISI 316
4	27-400009-01	Chemical limiter ø0,9 SS	AISI 316
4	27-400010-01	Chemical limiter ø1,0 SS	AISI 316
4	27-400012-01	Chemical limiter ø1,2 SS	AISI 316
4	27-400014-01	Chemical limiter ø1,4 SS	AISI 316
4	27-400016-01	Chemical limiter ø1,6 SS	AISI 316
5	20-200111	Non-return valve for dosing valve VITON	Viton/AISI 316
6	15-600030-01	Housing for Chemical angle	AISI 316

Dosing valve



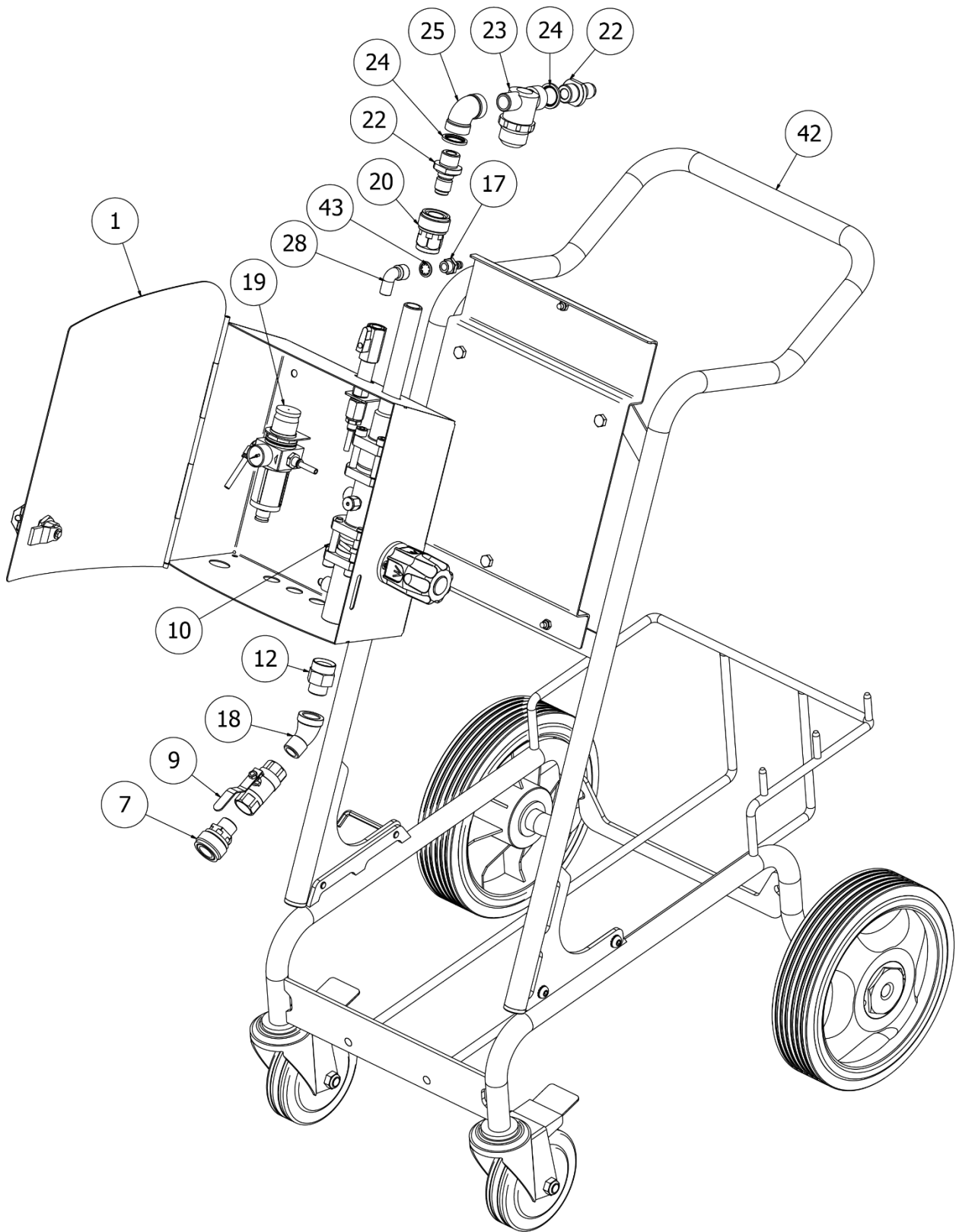
Foam (White / Blue / Red)

Pos.	Part no.	Description	Material
1	27-300040	Suction filter $\varnothing 6,5$	AISI 316
2	04-000082	Diaphragm nipple	EPDM
3	15-300012	Hose clip for 1/4"	PVC
4	20-400056	Dosing valve concentrated	AISI 316/Viton
5	55-200010	Suction hose 1/4"x1650 white	PVC
5	55-200040	Suction hose 1/4"x1650 blue	PVC
5	55-200052	Suction hose 1/4"x1650 red	PVC

Disinfection (Yellow)

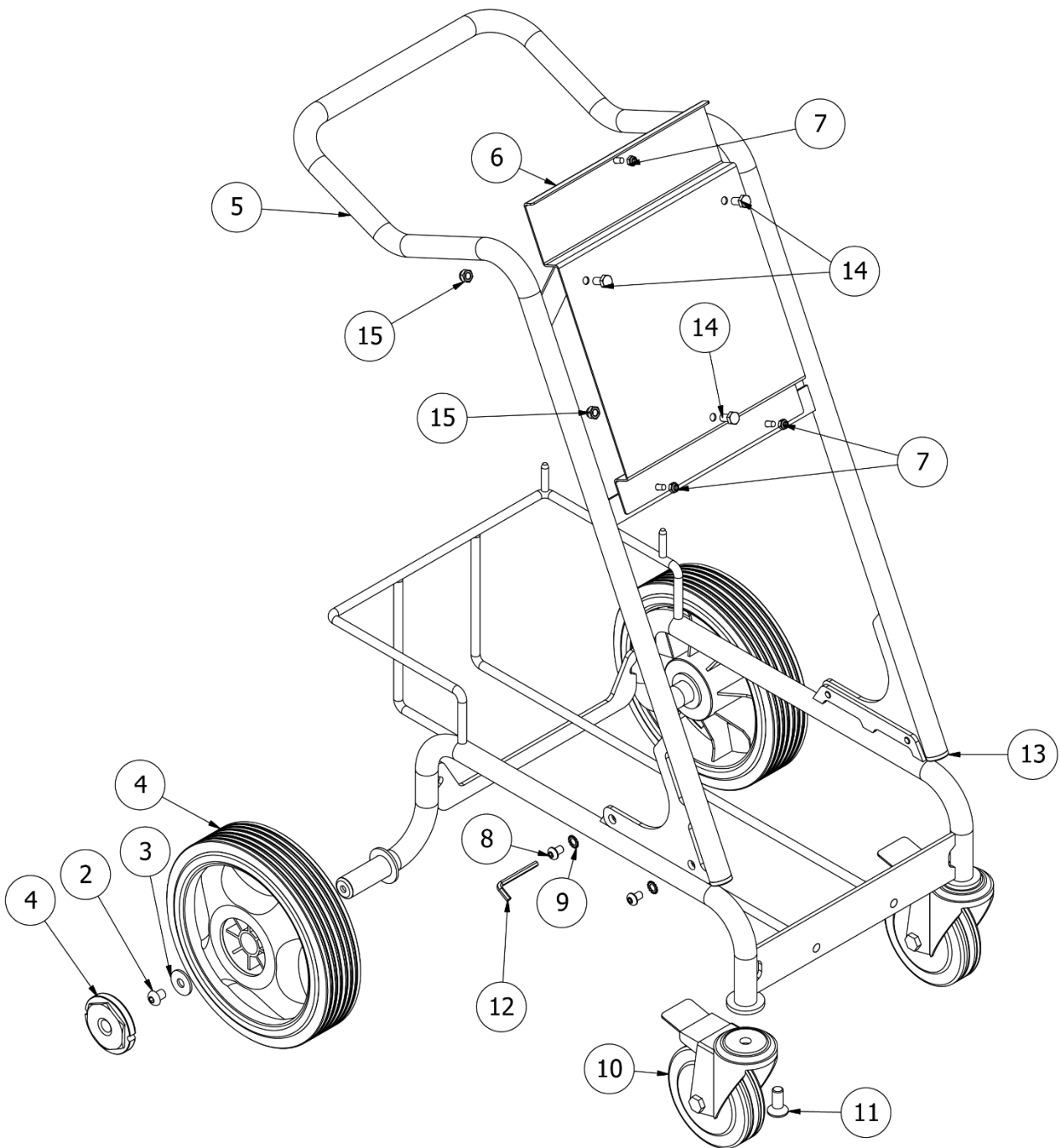
Pos.	Part no.	Description	Material
1	27-300040	Suction filter $\varnothing 6,5$	AISI 316
2	04-000082	Diaphragm nipple	EPDM
3	15-300012	Hose clip for 1/4"	PVC
4	20-400056	Dosing valve concentrated	AISI 316/Viton
5	55-200060	Suction hose 1/4"x1650 yellow	PVC

Base - Trolley



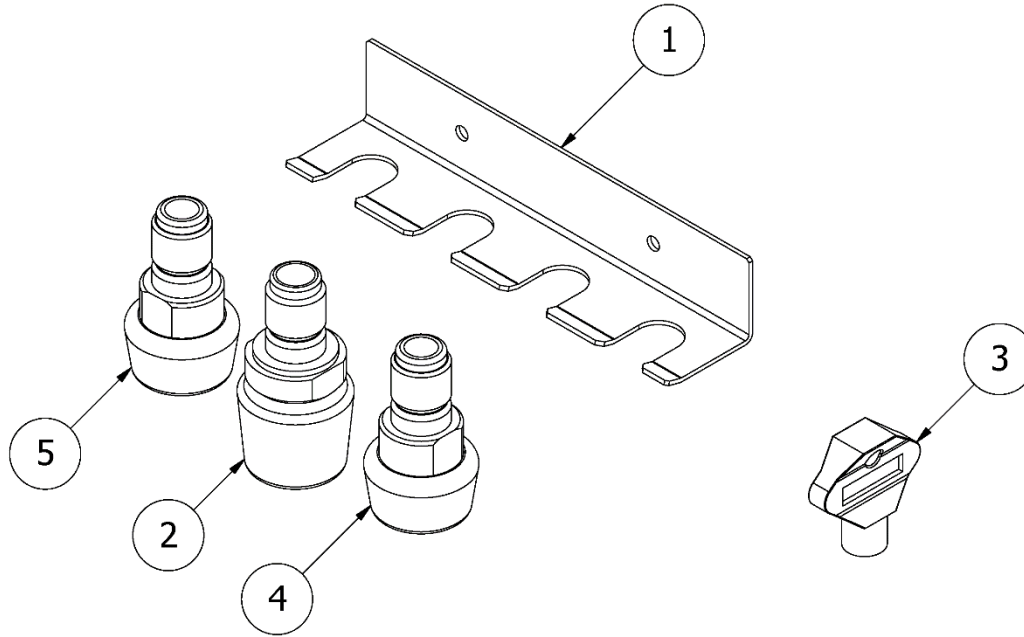
Pos.	Part no.	Description	Material	Version
1	46-500110	Housing S2	AISI 304	All
7	30-000050	Outlet coupling 1/2"	Special stainless	All
9	20-000220	Ball valve 1/2" (blue)	AISI 316	All
10	02-160170	Injector system	-	All
12	16-800060	Outlet nipple 1/2"x37 E/I	AISI 304	All
17	30-400040	Air nipple, 1/4" external thread	Chrome-plated brass	All
18	15-600350	Elbow 1/2" SS 45° E/I	AISI 316	All
19	05-010040	Assembly pneumatic S2	-	All
20	30-000010	Outlet coupling 1/2", internal	AISI 303	All
22	30-000070	Insert 1/2" external thread	16-2-XH	All
23	20-500060	Strainer 1/2" brass 300 µm	Nickel-plated brass	3-8 bar
24	17-000252	Packing for low pressure valve	-	3-8 bar
25	15-600070	Elbow 1/2" 90° I/I	AISI 316	All
28	15-600061	Elbow 1/4" 90° E/I	Nickel-plated brass	All
42	48-100077	Trolley	-	All
43	17-000012	Gasket 1/4"	PA12	All

Trolley



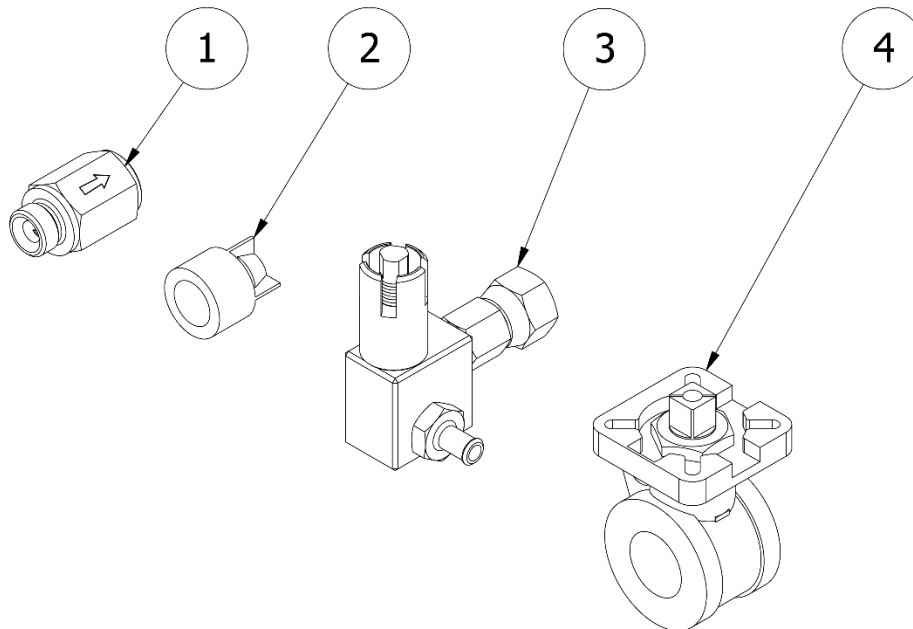
Pos.	Part no.	Description	Material
2	08-101001	Screw button head M10x12	A2
3	08-301002	Disc washer ø10	A2
4	49-000022	Wheel ø250x60mm	Rubber/Plastic
5	700-100020-01	Trolley	AISI 304
6	48-130040	Mounting bracket for satellite	AISI 304
7	08-000602	Lock nut M6	A2
8	08-100003	Allen screw M8x12	A2
9	08-300804	Toothed disk ø8	A2
10	49-100012	Wheel with lock ø125mm	Rubber/Plastic/AISI 304
11	08-800850	Screw M12x30 countersunk head (hexagon)	A2
12	97-100340	Allen key 5mm	Steel
13	04-000092	Plastic knob ø25mm	White PP
14	08-200808	Set screw M8x16	A2
15	08-000805	Lock nut M8	A2

Accessories



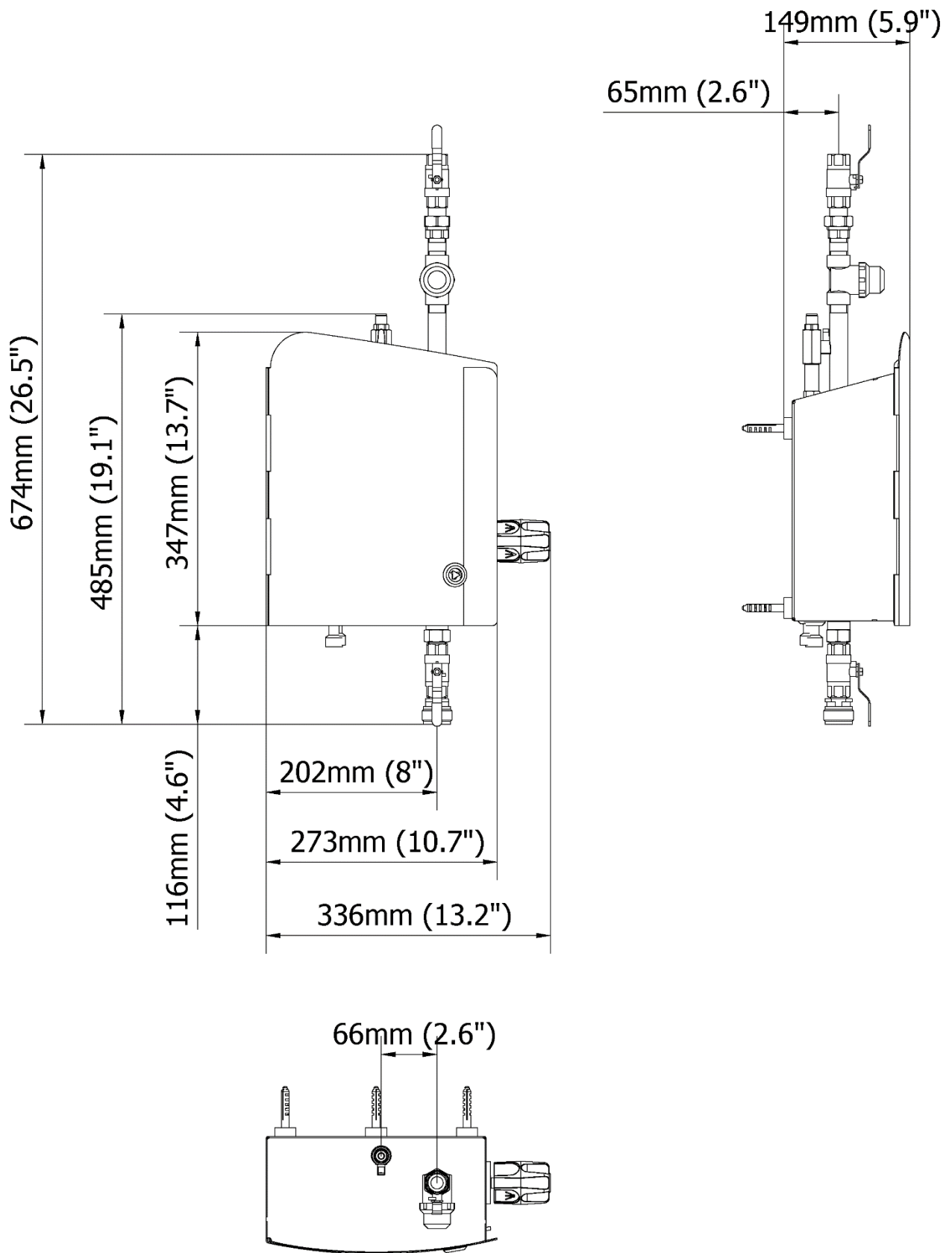
Pos.	Part no.	Description	Material	Version
1	57-000050-01	Nozzle holder for 4 System nozzles	AISI 304	All
2	53-502000	Foam nozzle System 50/200 BR	-	All
3	72-100010	Key for housing	Plastic	All
4	52-160300	Disinfection nozzle 60/30 KS	-	All
5	53-010401	Rinse nozzle System 10/40 BR	-	3-8 bar
5	53-015301	Rinse nozzle System 15/30 BR	-	15-40 bar

RECOMMENDED SPARE PARTS

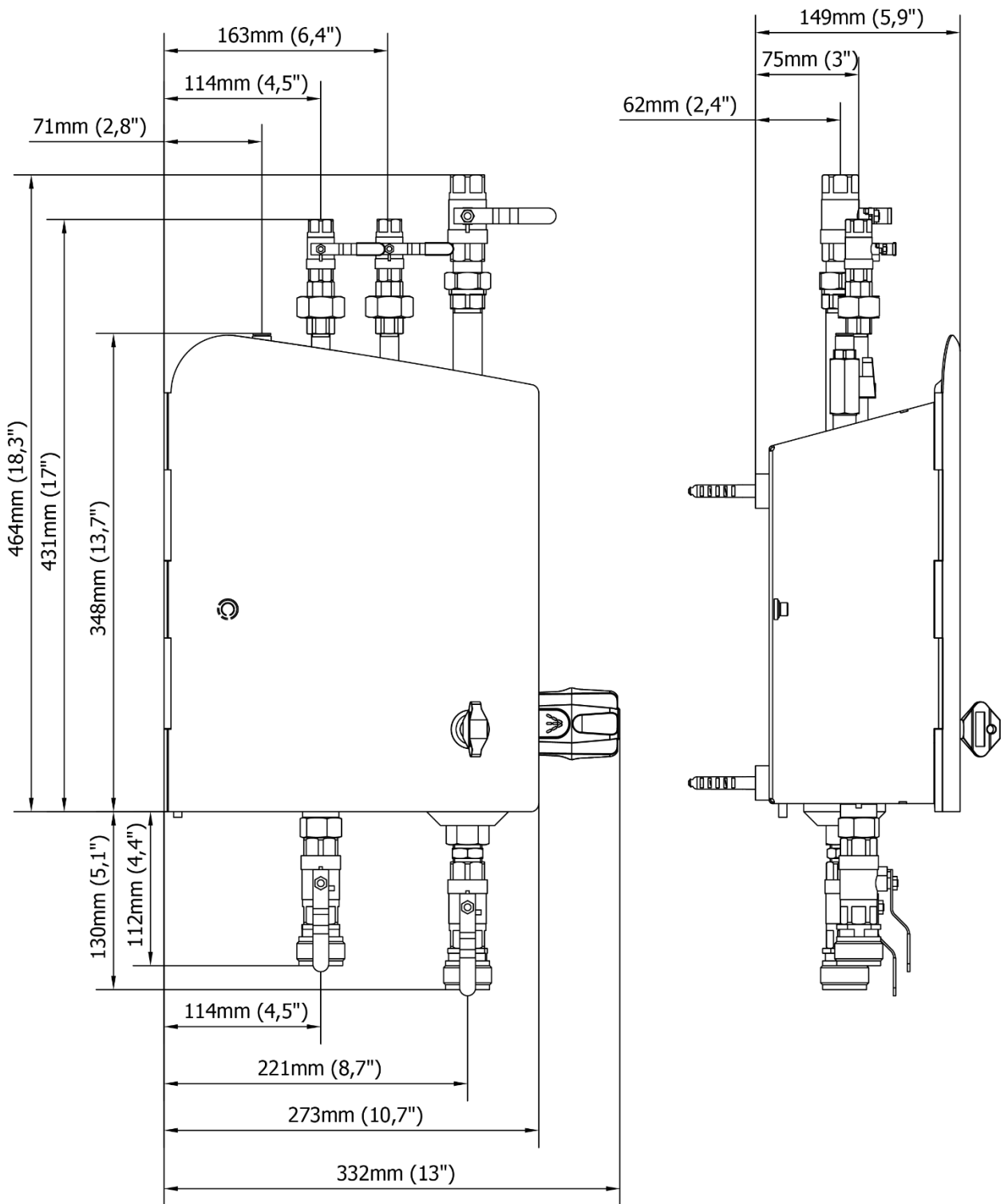


Pos.	Part no.	Description	Material
1	20-200020	Non-return valve 1/4" air	AISI 316/NBR
1	20-200021	Non-return valve 1/4" chemical (0)	-
2	20-200175	Non-return valve DN 20	PPO-GF/EPDM
3	20-400056	Dosing valve concentrated	AISI 316/Viton
4	20-000284	Ball valve 1/2" without flange	-

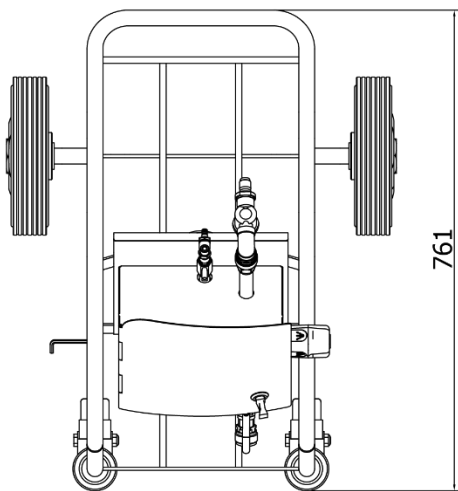
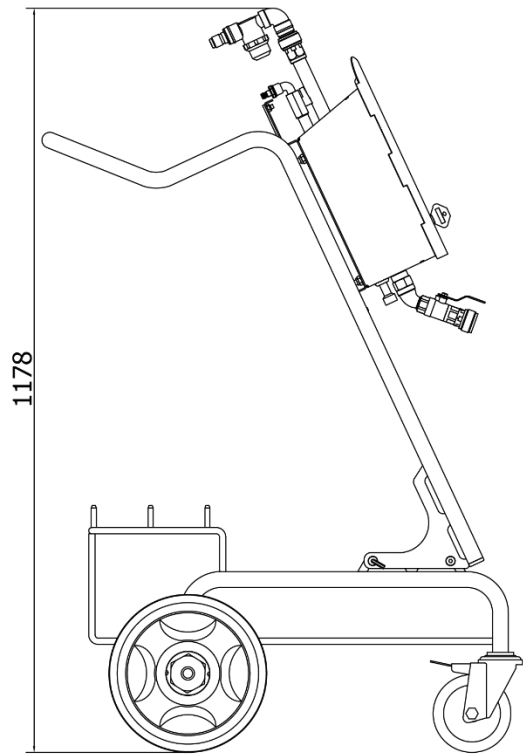
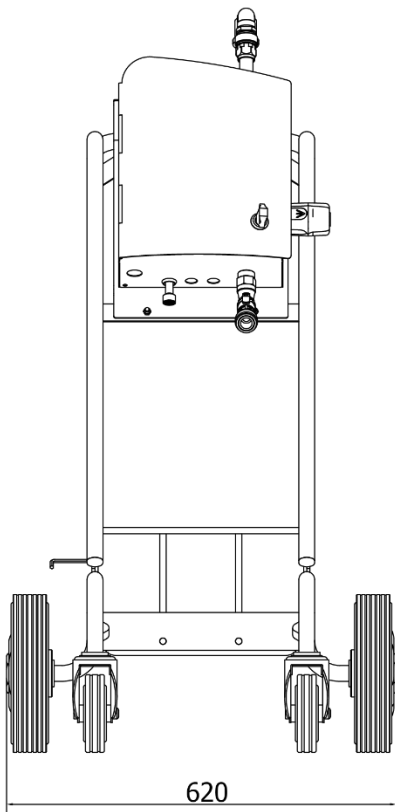
TECHNICAL SPECIFICATIONS WALL



TECHNICAL SPECIFICATIONS WALL S2 PF + PF



TECHNICAL SPECIFICATIONS TROLLEY



TECHNICAL SPECIFICATIONS WALL

Model	S2	S2
Installation		
Ambient temperature	3-40°C / 37-104°F	
Connections		
Air inlet	Ø8	1/4" NPT
Water inlet	1/2" BSP	1/2" NPT
Outlet	SC coupling	
Water		
Maximum pressure	40 bar / 580 psi	
Temperature	3-70°C / 37-160°F	
Minimum recommended flow	30 liter/min / 7.9 USgal/min	
Air		
Pressure	5-10 bar / 72-145 psi	
Minimum flow	150 liter/min / 5.3 cfm	
Chemical		
Max. pressure pre-diluted	12 bar / 174 psi	
Dosing range	0.2-6%*	
Outlet hose		
Water pressure 3-8 bar / 44-116 psi	3/4", 10-15 m / 33-49 ft	
Water pressure 15-40 bar / 44-580 psi	1/2", 10-35 m / 33-115 ft	
Dimensions		
Weight	10 kg / 22 lbs	

TECHNICAL SPECIFICATIONS TROLLEY

Model	S2	S2
Installation		
Ambient temperature	3-40°C / 37-104°F	
Connections		
Air inlet	Ø8	1/4" NPT
Water inlet	1/2" Insert	1/2" Insert
Outlet	SC coupling	
Water		
Maximum pressure	40 bar / 580 psi	
Temperature	3-70°C / 37-160°F	
Minimum recommended flow	30 liter/min / 7.9 USgal/min	
Air		
Pressure	5-10 bar / 72-145 psi	
Minimum flow	150 liter/min / 5.3 cfm	
Chemical		
Max. pressure pre-diluted	12 bar / 174 psi	
Dosing range	0.2-6%*	
Outlet hose		
Water pressure 3-8 bar / 44-116 psi	3/4", 10-15 m / 33-49 ft	
Water pressure 15-40 bar / 44-580 psi	1/2", 10-35 m / 33-115 ft	
Dimensions		
Weight	30,5 kg / 67 lbs	

Chemical Reduction Nozzles

Before the system is started the dosage of the detergent must be determined. The following list shows the approximate dosage percentages for chemistry:

Colour	Dosage [%]	Order no.
Purple	0.8	294-000010
Blue	1.3	294-000003
Dark brown	1.7	294-000011
Orange	2.3	294-000012
Brown (mounted by delivery)	3.7	294-000013
White	5.3	294-000005
Red	7.4	294-000004

The above mentioned dosage percentages for chemistry are intended values and are depending on the type and viscosity of the detergent.

If a different dosing percentage than the one supplied by the nozzle for chemical limitation—being installed from the factory—should be required, the suction filter at the end of the hose for detergent must be disassembled. The chemical limit nozzle must be screwed off the suction filter and another nozzle can be mounted instead.



System Cleaners A/S

Halkjærvej 17
DK-9200 Aalborg SV
Denmark

Tel.: +45 96 34 04 04

Fax.: +45 98 79 19 42

info@systemcleaners.com

www.systemcleaners.com

Please note:

We reserve the right to make alterations to the technical specifications without notice.